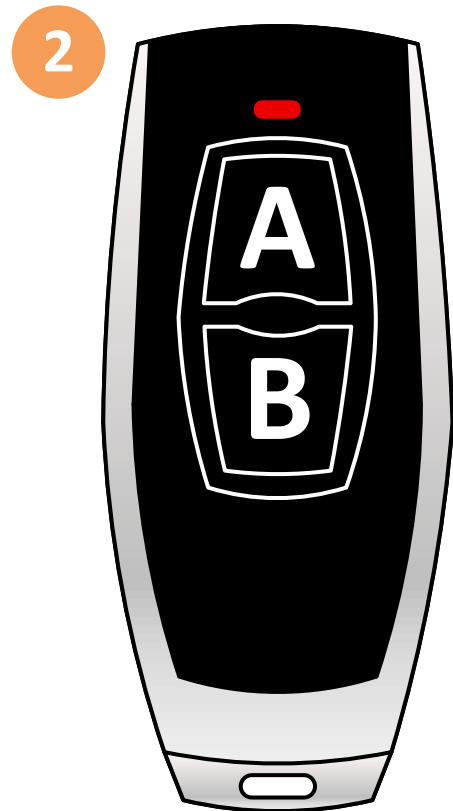
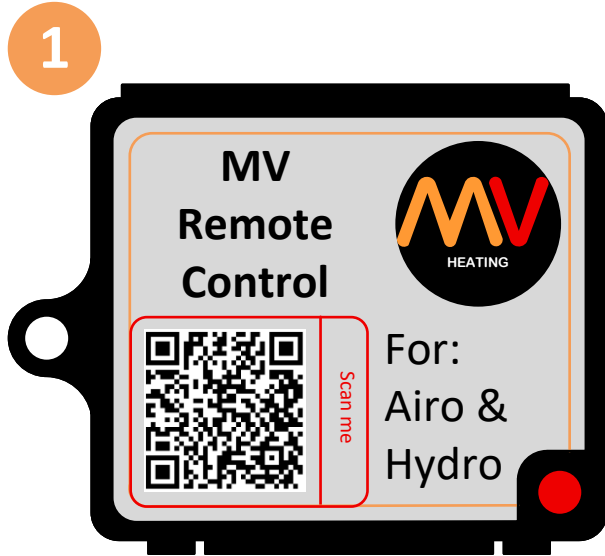


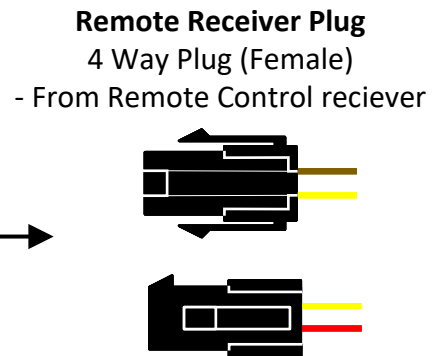
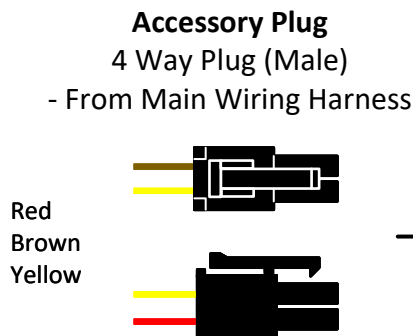
### Included:

- 1) Remote Control Receiver
- 2) Key Fob



### Installation:

Locate the black accessory plug in the main wiring harness and connect it to the remote receiver plug. Paying attention to the orientation.

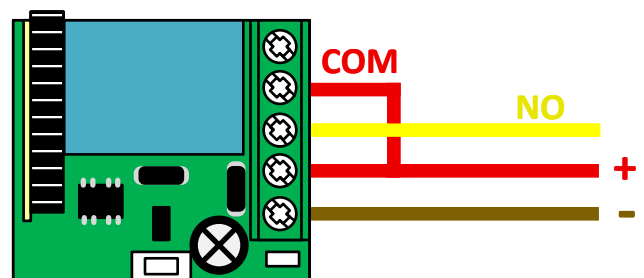


### Instructions:

Press 'A' to switch the heater on.  
Press 'B' to switch the heater off.

For air heaters, variable output and thermostatic modes can be switch between at the main control unit.

### Wiring Diagram:



### MV Heating (UK) Limited

Unit 6, Second Avenue Business Park, Millbrook, Southampton, Hants SO15 0LP  
Telephone: 023 8052 2345 Fax: 023 8052 8808 Email: sales@mvheating.co.uk  
www.mvheating.co.uk