

SPARE PARTS LIST

AIRTRONIC S3 COMMERCIAL

AIRTRONIC M3 COMMERCIAL / AIRTRONIC M3 RECREATIONAL

AIRTRONIC L3 COMMERCIAL / AIRTRONIC XL3 COMMERCIAL



This spare parts list is valid for the following engine-independent air heaters:

Air heaters for diesel fuel

	Order No.
Airtronic S3 D2L 12 V	25.2953.05.0000
Airtronic S3 D2L 12 V*	25.3066.05.0000
Airtronic S3 D2L 12 V VDP	25.3034.05.0000
Airtronic S3 D2L 24 V	25.2954.05.0000
Airtronic S3 D2L 24 V ADR	25.3038.05.0000
Airtronic M3 D4L 12 V	25.2955.05.0000
Airtronic M3 D4L 12 V VDP	25.3035.05.0000
Airtronic M3 D4L 24 V	25.2956.05.0000
Airtronic M3 D4L 24 V ADR	25.3039.05.0000
Airtronic M3 D4R 12 V	25.2957.05.0000
Airtronic M3 D4R 12 V VDP	25.3036.05.0000
Airtronic M3 D4R 12 V CI-Bus	25.3051.05.0000
Airtronic M3 D4R 24 V	25.2958.05.0000
Airtronic L3 D6L 12 V	25.2959.05.0000
Airtronic L3 D6L 12 V VDP	25.3037.05.0000
Airtronic L3 D6L 24 V	25.2960.05.0000
Airtronic XL3 D8L 24 V	25.3020.05.0000

*) Cable outlet, left

Air heaters for petrol

	Order No.
Airtronic S3 B2L 12 V	20.2029.05.0000
Airtronic M3 B4L 12 V	20.2030.05.0000
Airtronic M3 B4R 12 V	20.2031.05.0000

Chapter	Chapter title	Page
	Chapter contents	
1	Information	
1.1	General information	3
1.2	Reference documents	3
1.3	Determining the quantity required for the order	3
1.4	Using the nameplate to determine the production date	3
2	Heater	
2.1	Spare parts diagram	4
2.1.1	Airtronic S3/M3	4
2.1.2	Airtronic L3/XL3	5
2.2	Spare parts list	6
3	Electrics, fuel, hot air and combustion air system	
3.1	Spare parts diagram	8
3.1.1	Airtronic S3/M3/L3	8
3.1.2	Airtronic XL3	9
3.2	Spare parts list	10

1 Information

1.1 General information

This document is to be used when ordering spare parts for the heaters listed on the title page, to the exclusion of all liability claims.

Depending on the version or revision status of the heater, differences may occur compared to this documentation. Please check this before ordering the spare parts and take any possible differences into account.

1.2 Reference documents

Technical description

Describes the function and proper installation and contains all information necessary for safe operation of the heater.

Repair instructions

Contain the necessary information for troubleshooting and for repair of the heater.

Installation recommendation

Describes vehicle-specific installation situations.

Installation Instructions Plus

Supplementary information on heaters and control units.

1.3 Determining the quantity required for the order

The information in the “quantity per unit” and “quantity per SU” (sales unit) columns is used to determine the quantity of a spare part required and the SU (sales units) to be ordered.

Quantity per unit

The number in this column indicates how many of the spare part concerned are installed in the whole unit.

Quantity per SU

The number in this column indicates how many of the spare part concerned are contained in one SU (sales unit).

Order No. (SU)

The order number refers to an SU.

1.4 Using the nameplate to determine the production date

To place the spare parts order correctly, in some cases it is necessary to determine the production date of the heater before ordering the spare part. There are two options for doing this on the heater's nameplate.



1 Determination of the calendar week

- Representation of the production calendar week as a four-digit number (e.g. “1118” = calendar week 11 in year 2018)

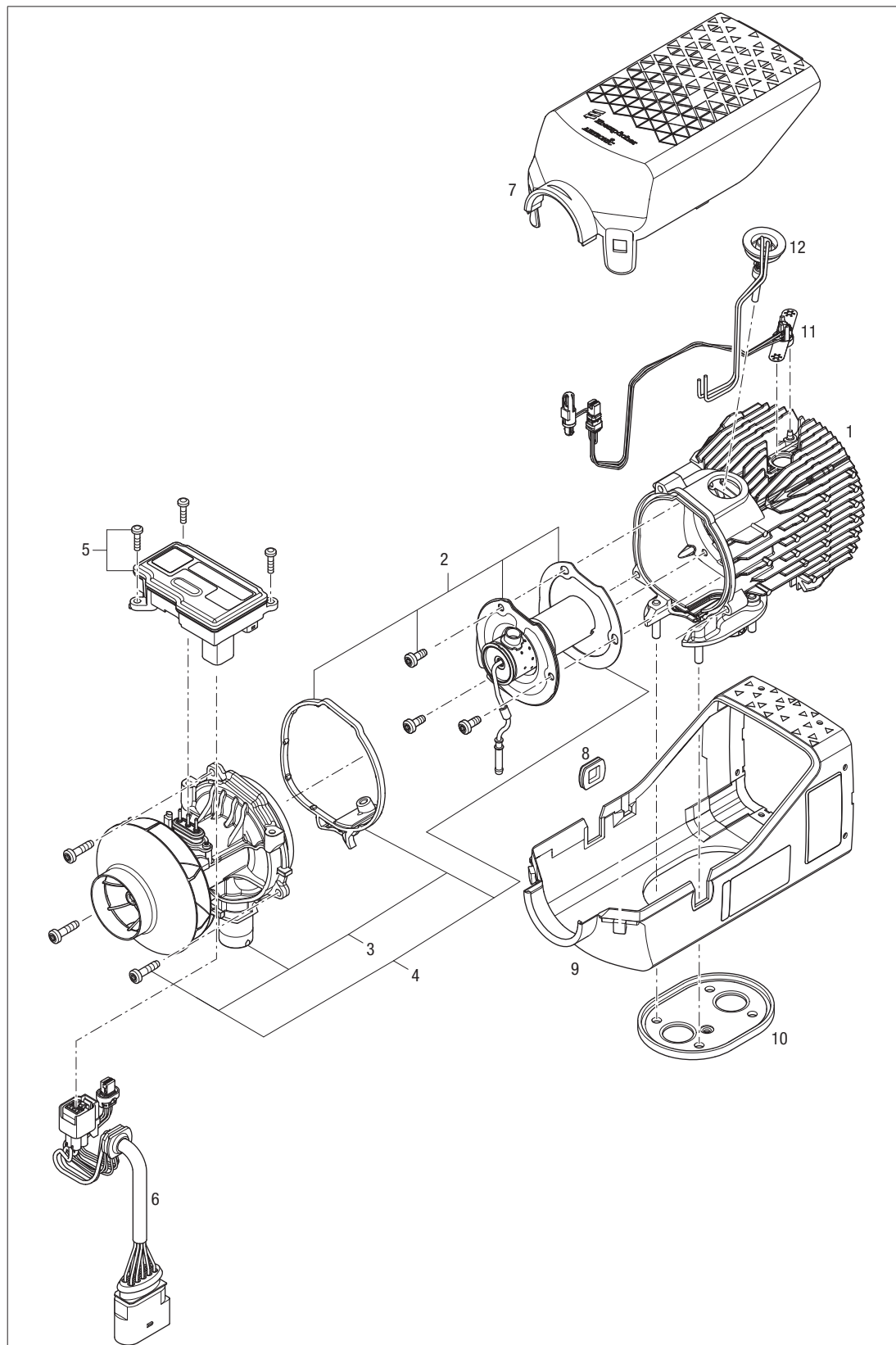
2 Determining the date

- Scan the QR code with a QR code reader.
- The production date is given by the 8-digit representation of the date in the third from last position of the read out text (e.g. “14032018” = 14 March 2018)

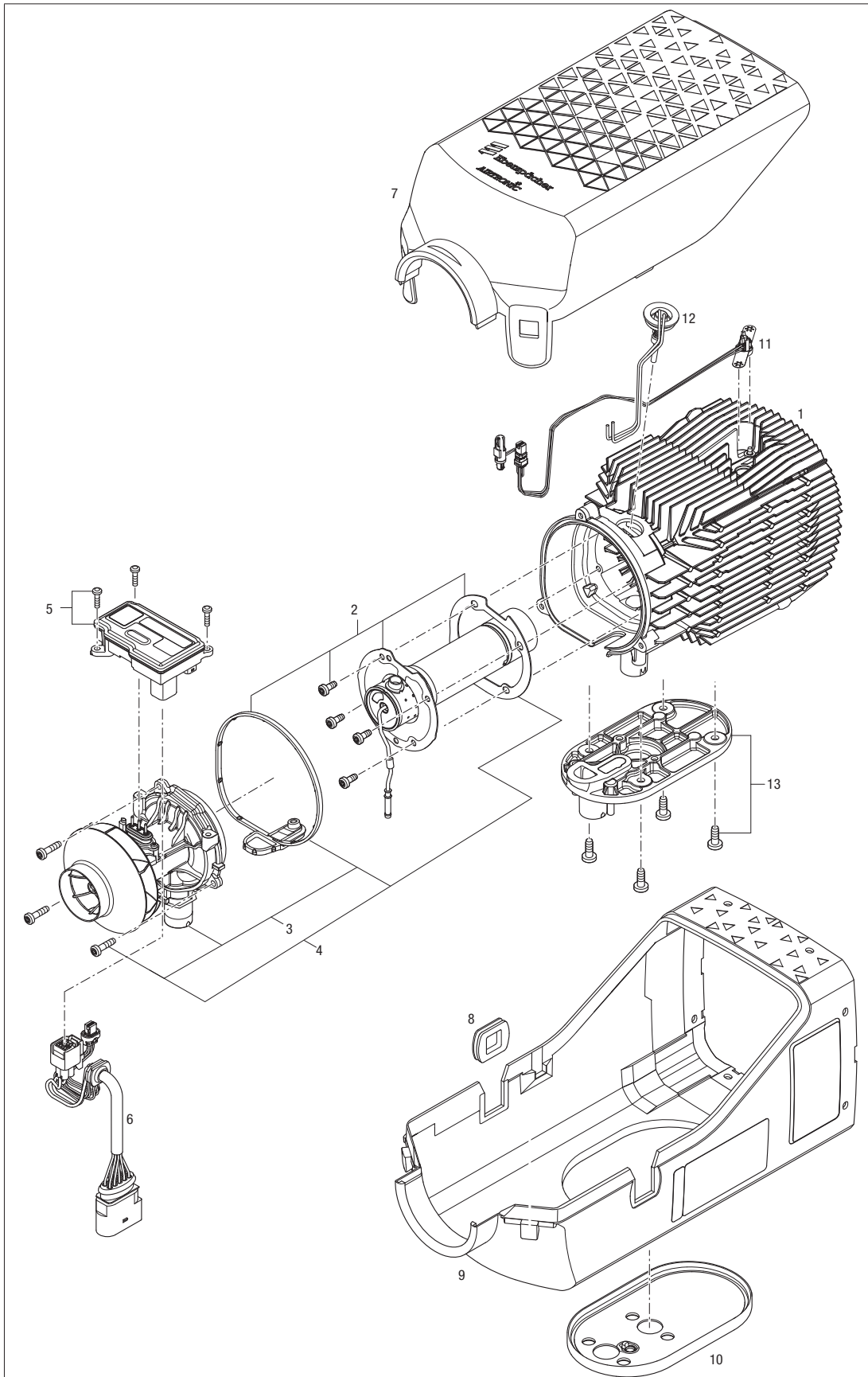
2 Heater

2.1 Spare parts diagram

2.1.1 Airtronic S3/M3



2.1.2 Airtronic L3/XL3



2.2 Spare parts list

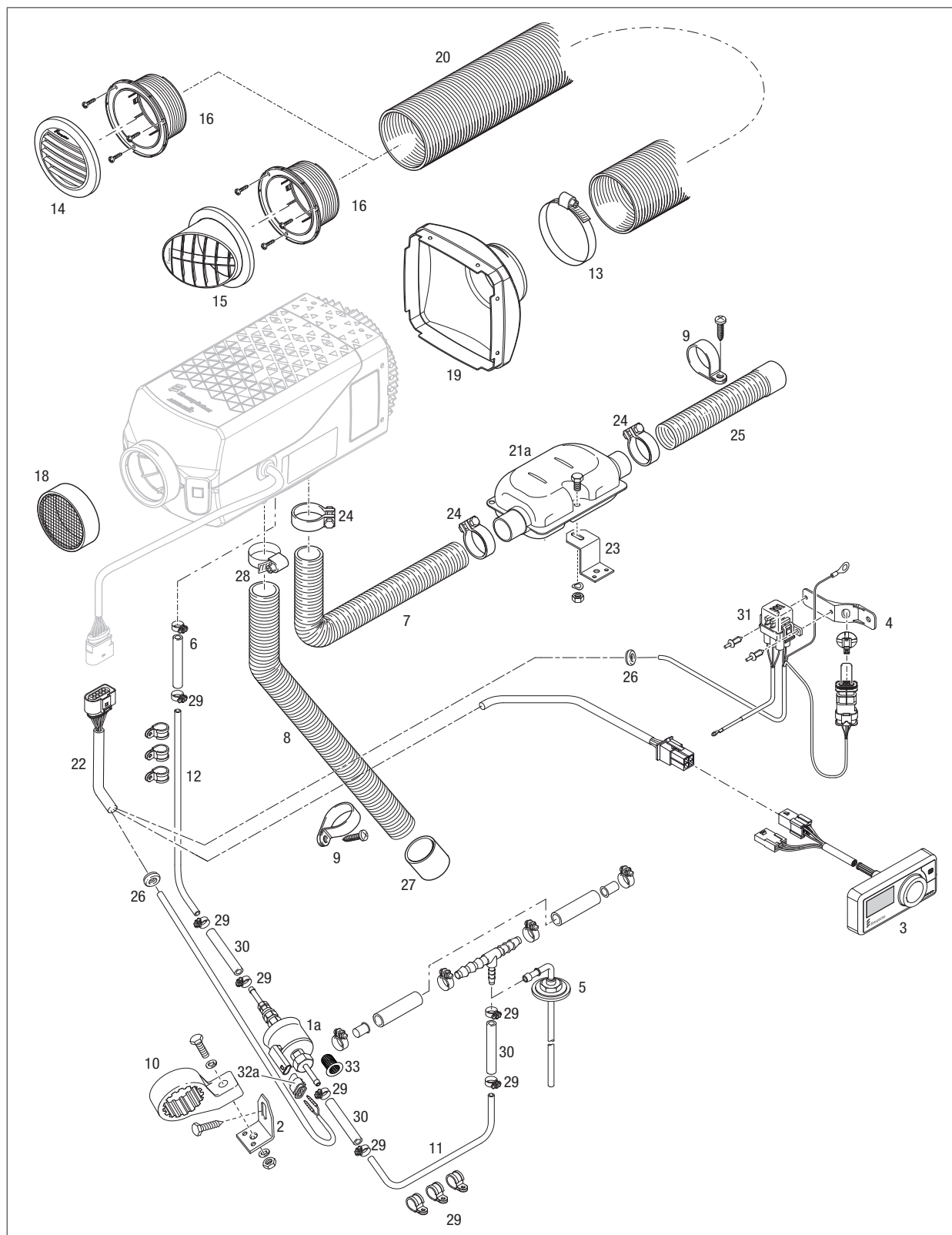
Item No.	Quantity per unit	Quantity per SU	Designation	Order No. (SU)	For unit																					
					D2L, 12 V	D2L, 12 V	D2L, 12 V VDP	D2L, 24 V	D2L, 24 V ADR	D4L, 12 V	D4L, 12 V VDP	D4L, 24 V	D4L, 24 V ADR	D4R, 12 V	D4R, 12 V VDP	D4R, 12 V CI	D4R, 24 V	D6L, 12 V	D6L, 12 V VDP	D6L, 24 V	D8L, 24 V	B2L, 12 V	B4L, 12 V	B4R, 12 V		
1	1	1	Heat exchanger incl. screws, and thermal separation combustion chamber	25.2953.99.0601	•	•	•	•	•																	
				25.2955.99.0601						•	•	•	•	•	•	•								•		•
				25.2959.99.0601													•	•	•							
				25.3020.06.0000																	•					
2	1	1	Combustion chamber incl. screws, blower seal, and thermal separation combustion chamber	20.2029.99.1000	•	•	•	•														•				
				25.2953.99.1000																						
				20.2030.99.1000																					•	•
				25.2955.99.1000								•	•	•	•	•	•									
				25.2959.99.1000														•	•	•						
25.3020.10.0000																	•									
3	1	1	Blower 12 V incl. screws and blower seal	25.2953.99.1500	•	•	•															•				
				25.2955.99.1500						•	•														•	
				25.2957.99.1500										•	•	•										•
				25.2959.99.1500													•	•								
			Blower 24 V incl. screws and blower seal	25.2954.99.1500				•	•																	
				25.2956.99.1500									•	•												
				25.2958.99.1500												•										
				25.2960.99.1500																•						
25.3020.99.1500																	•									
4	1	1	Blower seal incl. blower screws, and thermal separation combustion chamber	25.2953.99.0603	•	•	•	•														•				
				25.2955.99.0603						•	•	•	•	•	•	•								•	•	
				25.2959.99.0603														•	•	•	•					
5	1	1	Control box 12 V incl. screws	20.2029.99.5000																		•				
				25.2953.99.5000	•	•																				
				25.3034.99.5000			•																			
				20.2030.99.5000																					•	
				20.2031.99.5000																						•
				25.2955.99.5000								•														
				25.2957.99.5000												•										
				25.3035.99.5000											•											
				25.3036.99.5000														•								
				25.2959.99.5000															•							
			25.3037.99.5000															•								
			25.3051.99.5000																•							
			Control box 24 V incl. screws	25.2954.99.5000				•																		
				25.3038.99.5000					•																	
				25.2956.99.5000											•											
25.2958.99.5000															•											
25.3039.99.5000														•												
25.2960.99.5000																	•									
25.3020.99.5000																		•								

Item No.	Quantity per unit	Quantity per SU	Designation	Order No. (SU)	For unit																						
					D2L, 12 V	D2L, 12 V	D2L, 12 V VDP	D2L, 24 V	D2L, 24 V ADR	D4L, 12 V	D4L, 12 V VDP	D4L, 24 V	D4L, 24 V ADR	D4R, 12 V	D4R, 12 V VDP	D4R, 12 V CI	D4R, 24 V	D6L, 12 V	D6L, 12 V VDP	D6L, 24 V	D8L, 24 V	B2L, 12 V	B4L, 12 V	B4R, 12 V			
6	1	1	Cable harness heater	25.2953.99.0102	•	•	•	•	•	•	•	•	•	•	•	•	•	•	•	•	•	•	•				
				25.2959.99.0102																							
7	1	1	Jacket shell, top	25.2953.01.0101	•	•	•	•	•																		
				25.2955.01.0101						•	•	•	•	•	•	•								•			
				25.2959.01.0101													•	•	•	•	•				•	•	
8	1	1	Grommet, cable outlet	25.2069.00.0001	•	•	•	•	•	•	•	•	•	•	•	•	•	•	•	•	•	•	•				
9	1	1	Jacket shell, bottom	25.2953.01.0102	•	•	•	•	•																		
				25.2955.01.0102						•	•	•	•	•	•	•									•		
				25.2959.01.0102													•	•	•	•	•					•	•
10	1	1	Seal, flange	25.2069.01.0002	•	•	•	•	•	•	•	•	•	•	•	•	•	•	•	•	•	•	•	•			
				25.2959.01.0003																							
				25.3020.01.0003																							
11	1	1	Combination sensor (incl. air inlet sensor and installation tool)	25.2953.99.4000	•	•	•	•	•	•	•	•	•	•	•	•	•	•	•	•	•	•	•	•			
				25.2959.99.4000																							
12	1	1 V	Glow plug with grommet	12 V 20.2029.99.0104	•	•	•			•	•			•	•	•	•	•	•	•	•	•	•				
				24 V 25.2954.99.0104				•	•			•	•			•	•	•	•	•	•	•	•	•	•	•	
13	1	1	Heat exchanger base, flange plate incl. screws	25.2959.99.0104																							
				25.3020.01.0004													•	•	•	•	•						

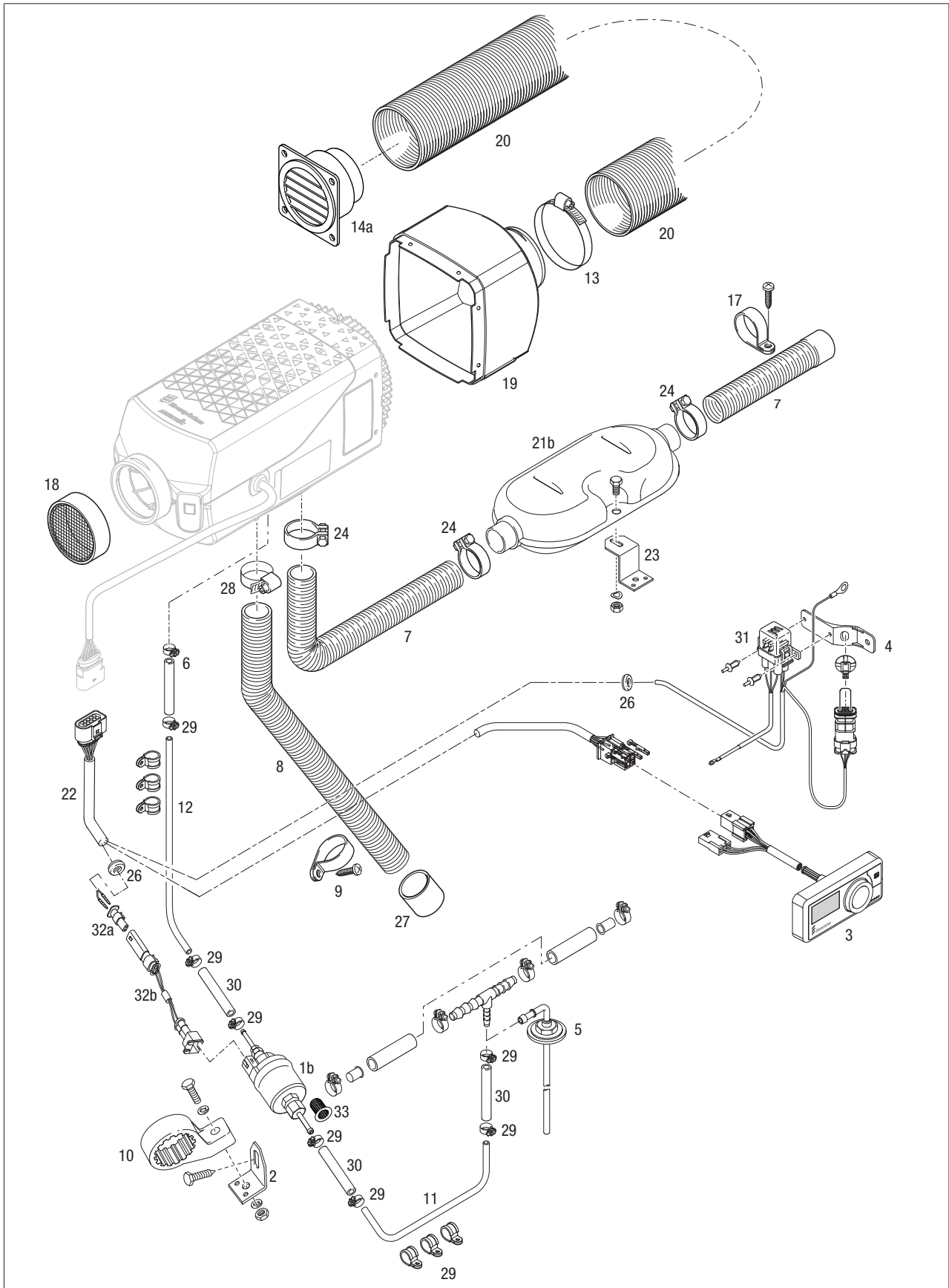
3 Electrics, fuel, hot air and combustion air system

3.1 Spare parts diagram

3.1.1 Airtronic S3/M3/L3



3.1.2 Airtronic XL3



3.2 Spare parts list

Item No.	Quantity per unit	Quantity per SU	Designation	Order No. (SU)	For unit																					
					D2L, 12 V	D2L, 12 V	D2L, 12 V VDP	D2L, 24 V	D2L, 24 V ADR	D4L, 12 V	D4L, 12 V VDP	D4L, 24 V	D4L, 24 V ADR	D4R, 12 V	D4R, 12 V VDP	D4R, 12 V CI	D4R, 24 V	D6L, 12 V	D6L, 12 V VDP	D6L, 24 V	D8L, 24 V	B2L, 12 V	B4L, 12 V	B4R, 12 V		
1a	1	1	Fuel metering pump, 12 V	22.4552.03.0000	•	•				•				•												
				22.4555.01.0000			•			•				•												
				22.4550.05.0000													•									
				22.4554.01.0000														•								
1b			Fuel metering pump, 24 V	22.4553.01.0000			•	•				•	•				•									
				22.4551.01.0000															•							
				22.4618.01.0000																•						
2	1	1	L-bracket, fuel metering pump	20.1348.03.0004	•	•	•	•	•	•	•	•	•	•	•	•	•	•	•	•	•	•				
3	1	1	Control unit EasyStart Pro (optional)	22.1000.35.2200	•	•	•	•	•	•	•	•	•	•	•	•	•	•	•	•	•	•				
4	1	1	Bracket diagnostic connector, combi-clip	22.1000.51.4900	•	•	•	•	•	•	•	•	•	•	•	•	•	•	•	•	•	•				
5	1	1	Fuel remover	25.1226.89.5000	•	•	•	•	•	•	•	•	•	•	•	•	•	•	•	•	•	•				
6	1	1	Hose connection kit, fuel line	22.9000.20.0457	•	•	•	•	•	•	•	•	•	•	•	•	•	•	•	•	•	•				
7	1	1	Exhaust pipe, flexible di = 24 mm, L = 900 mm	360.61.274	•	•	•	•	•	•	•	•	•	•	•	•	•	•			•	•	•			
			Exhaust pipe, flexible di = 30 mm	22.1000.40.7200																•						
8	1	1	Flexible pipe, Ø 25 mm	360.00.006	•	•	•	•	•	•	•	•	•	•	•	•	•	•	•	•	•	•				
9	1	20	Pipe clip	152.09.010	•	•	•	•	•	•	•	•	•	•	•	•	•	•	•	•	•	•				
10	1	1	Bracket fuel metering pump	22.1000.50.0300	•	•	•	•	•	•	•	•	•	•	•	•	•	•			•	•	•			
				22.1000.50.0700																	•					
11	1	8 m	Fuel pipe, intake line 4 x 1 mm	890.31.054	•	•	•	•	•	•	•	•	•	•	•	•	•	•	•	•	•	•				
12	1	8 m	Fuel pipe, discharge line 4 x 1 mm	890.31.054	•	•	•	•	•	•	•	•	•	•	•	•	•	•	•			•	•			
			4 x 1.25 mm	890.31.123																	•					
13	1	1	Hose clip	50 – 70 mm	10.2067.05.0070	•	•	•	•	•	•	•	•	•	•	•	•	•	•	•	•	•	•			
				70 – 90 mm	10.2067.07.0090	•	•	•	•	•	•	•	•	•	•	•	•	•	•	•	•	•	•	•	•	
14	1	1	Air outlet, straight, rotatable	Ø 60 mm	22.1000.01.0044				•	•	•											•	•			
				Ø 75 mm, Ø 90 mm	22.1000.01.0052	•	•	•					•	•	•	•	•	•	•				•			
				Ø 100 mm	22.1000.01.0700																•					
14a			Air outlet, angled, rotatable	Ø 60 mm	22.1000.01.0056				•	•	•											•	•			
				Ø 75 mm, Ø 90 mm	22.1000.01.0060	•	•	•					•	•	•	•	•	•	•				•			
16	1	1	Connection socket	Ø 60 mm	22.1000.01.0035				•	•	•											•	•			
				Ø 90 mm	22.1000.01.0037	•	•	•					•	•	•	•	•	•	•				•			
				Ø 75 mm	22.1000.01.0036	•	•	•	•	•	•	•	•	•	•	•	•	•	•	•				•	•	
17	1	10	Pipe clip	152.10.069															•							

Item No.	Quantity per unit	Quantity per SU	Designation	Order No. (SU)	For unit																					
					D2L, 12V	D2L, 12V	D2L, 12V VDP	D2L, 24V	D2L, 24V ADR	D4L, 12V	D4L, 12V VDP	D4L, 24V	D4L, 24V ADR	D4R, 12V	D4R, 12V VDP	D4R, 12V CI	D4R, 24V	D6L, 12V	D6L, 12V VDP	D6L, 24V	D8L, 24V	B2L, 12V	B4L, 12V	B4R, 12V		
18	1	1	Grille	Ø 60 mm	25.1688.80.0600	•	•	•	•	•																
				Ø 75 mm	25.1552.05.0100						•	•	•	•	•	•	•							•		•
				Ø 90 mm	25.1729.80.0001													•	•	•	•					
19	1	1	Hood	Ø 60 mm	22.1000.01.0016	•	•	•	•	•																
				Ø 90 mm	22.1000.01.0019						•	•	•	•	•	•	•								•	
				Ø 75 mm	22.1000.01.0017	•	•	•	•	•															•	
				Ø 75 mm	22.1000.01.0018						•	•	•	•	•	•	•									•
				Ø 90 mm	22.1000.01.0086													•	•	•						
				Ø 100 mm	22.1000.01.0087																•					
20	1	1	Flexible pipe	Ø 60 mm	10.2114.31.0000	•	•	•	•	•																
				Ø 90 mm	10.2114.37.0000						•	•	•	•	•	•	•	•	•	•	•	•	•	•	•	
				Ø 75 mm	10.2114.34.0000	•	•	•	•	•	•	•	•	•	•	•	•	•	•	•	•	•	•	•	•	•
				Ø 100 mm	10.2114.38.0000																	•				
21a	1	1	Exhaust silencer	25.1864.81.0100	•	•	•	•	•	•	•	•	•	•	•	•	•	•	•	•	•	•	•			
21b				25.1806.80.0100																	•					
22	1	1	Cable harness heater	25.2720.80.1100	•	•	•	•	•	•	•	•	•	•	•	•	•	•	•	•	•	•	•			
23	1	1	Bracket exhaust silencer, Z shape	20.1533.88.0007	•	•	•	•	•	•	•	•	•	•	•	•	•	•	•	•	•	•	•			
			Bracket exhaust silencer, L shape	20.1348.03.0004	•	•	•	•	•	•	•	•	•	•	•	•	•	•	•	•	•	•	•	•		
24	3	10	Pipe clip exhaust	22.1000.51.4400	•	•	•	•	•	•	•	•	•	•	•	•	•	•	•	•	•	•	•			
				22.1000.51.4500																			•			
25	1	1	Exhaust pipe with end sleeve, flexible	di = 24 mm, L = 300 mm	20.1731.80.0400	•	•	•	•	•	•	•	•	•	•	•	•	•	•	•	•	•	•			
				di = 30 mm, L = 1300 mm	22.1000.40.6500																			•		
26	2	100	Grommet	20.1280.09.0103	•	•	•	•	•	•	•	•	•	•	•	•	•	•	•	•	•	•				
27	1	1	End sleeve, combustion air	25.1729.89.0002	•	•	•	•	•	•	•	•	•	•	•	•	•	•	•	•	•	•	•			
28	1	10	Hose clip	Ø 20 – 32 mm	10.2067.02.0032	•	•	•	•	•	•	•	•	•	•	•	•	•	•	•	•	•	•			
29	8	100	Hose clip	Ø 9 mm	10.2068.00.9098	•	•	•	•	•	•	•	•	•	•	•	•	•	•	•	•	•	•			
30	1	1	Hose	di = 3.5 / 3 mm	360.75.300	•	•	•	•	•	•	•	•	•	•	•	•	•	•	•	•	•	•			
31	1	1	Fuse holder, complete set	22.1000.31.0600	•	•	•	•	•	•	•	•	•	•	•	•	•	•	•	•	•	•	•			
32a	1	1	Connection housing kit, metering pump	22.9000.30.0411	•	•	•	•	•	•	•	•	•	•	•	•	•	•	•	•	•	•	•			
32b			Adapter cable, metering pump	22.9000.30.0417																	•					
33	1	1	Pot-type strainer, metering pump	20.1312.00.0006	•	•	•	•	•	•	•	•	•	•	•	•	•	•	•	•	•	•	•			

Eberspächer Climate Control
Systems GmbH
Eberspächerstraße 24
73730 Esslingen
Germany
info@eberspaecher.com
www.eberspaecher.com

