



Wiring Information for the **Slimline-N 12v** Heatmiser Thermostats to work with blower boxes, Webasto/Eberspacher Water Heaters.

For free tech support, please call (01924 274774)

We recommend you use operating mode **00** for blower boxes as it very simple, and **02** if you want a for 7-day timer function for your Webasto or Eberspacher systems.






## M Operating Mode

The thermostat has 4 main operating modes:

MODE	DESCRIPTION
00	Non-programmable with air sensor only.
01	Non-programmable with floor / air sensor options.
02	Programmable with air sensor only.
03	Programmable with floor / air sensor options (default).

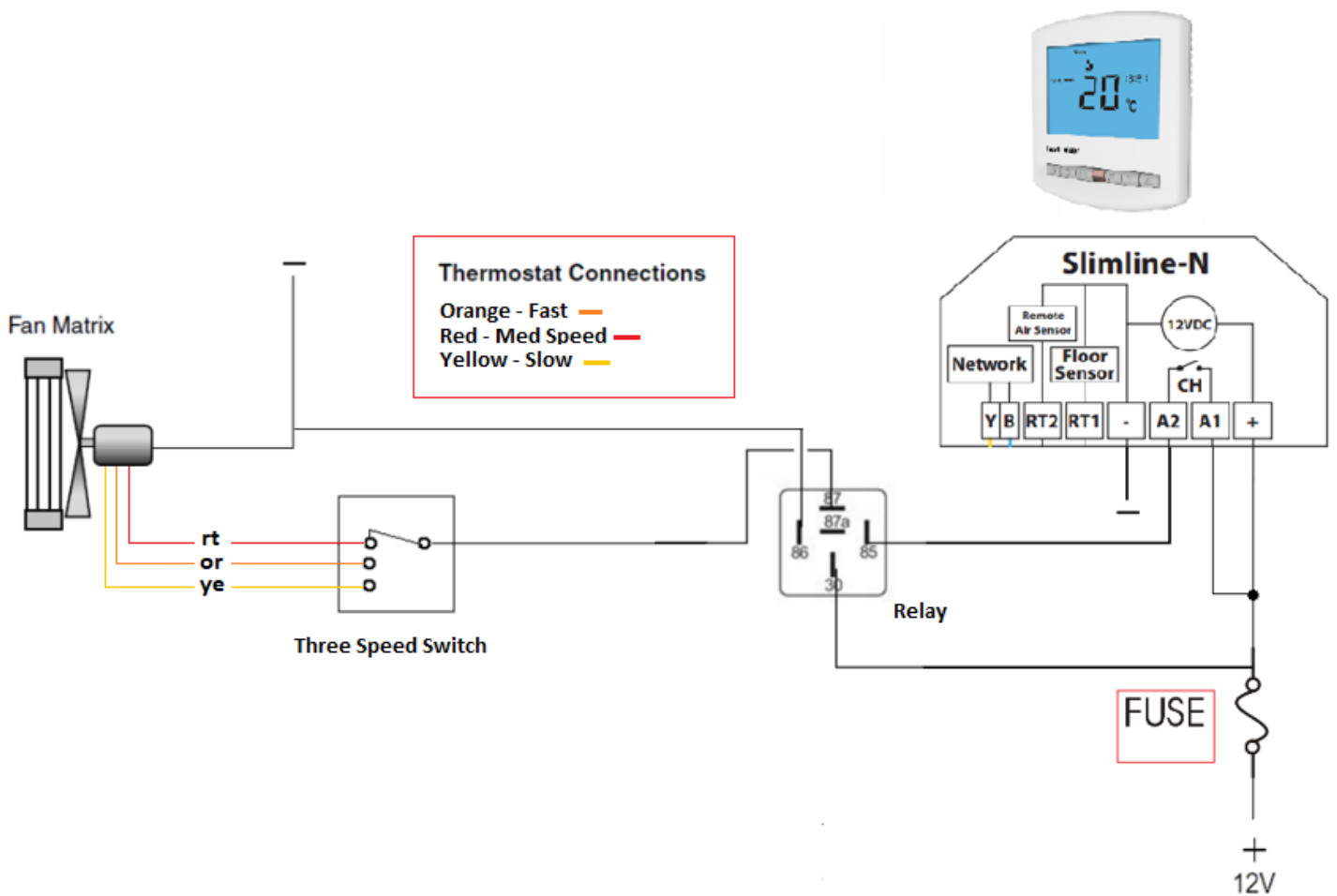
Select the mode that best suits your needs

*Mode 00 or 02 MUST NOT be used to control electric underfloor heating, Mode 01 or 03 (default) with floor sensor option must be used.*

- Press and hold the Power button to turn the thermostat OFF ..... 
- Press and hold the H key for 10 seconds ..... 
- Use the Up/Down keys to select the mode you require ..... 
- Press A to confirm settings ..... 
- Press the Power button once to turn the thermostat back ON ..... 

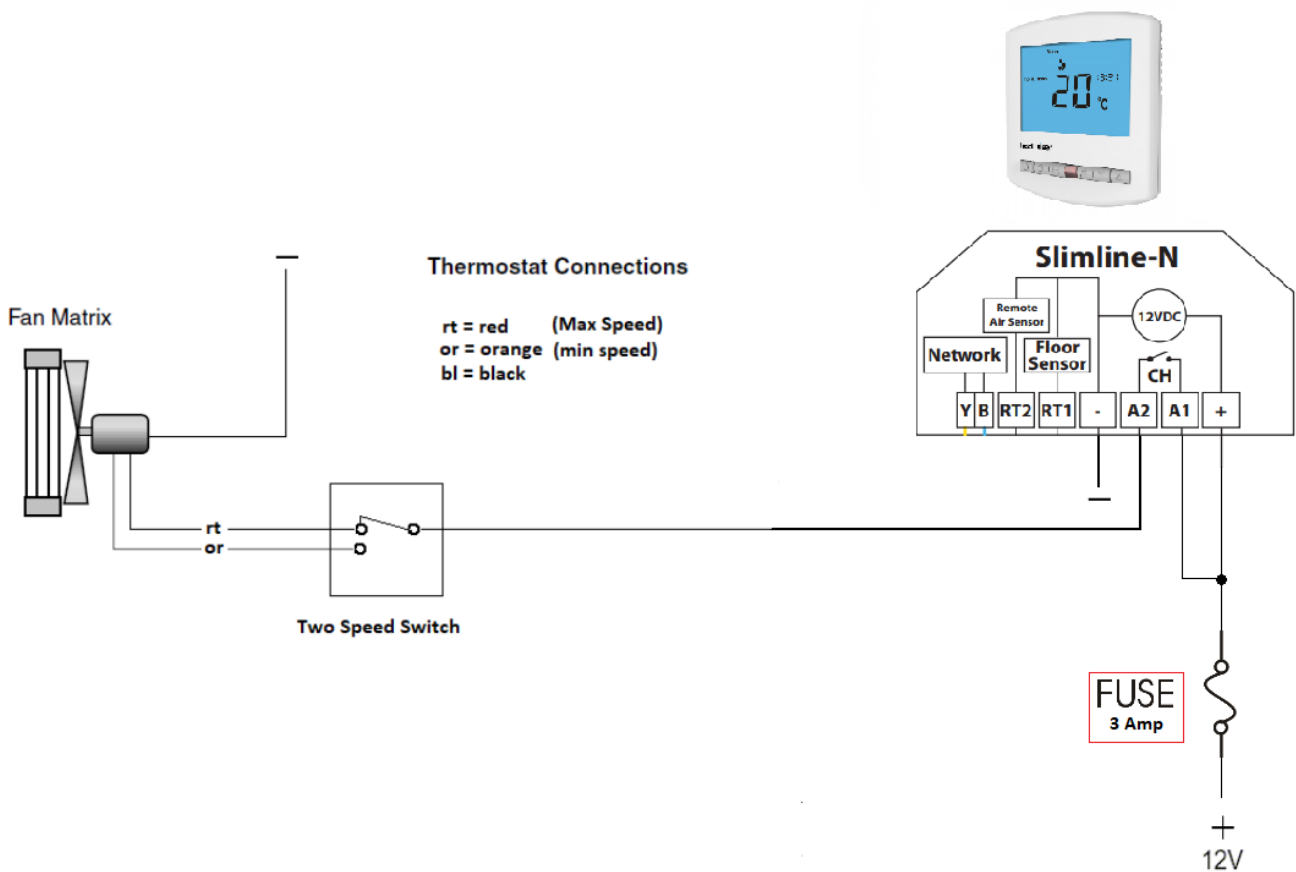
## Option 6 - Fan Blower 3 speed over > 3 amp with relay

Heatermister setup to work with fan blower box over > 3 amp of power with the use of a reply; this diagram is for blower boxes with 3 speeds; you also have the option to buy a 3 speed switch to work alongside your thermostat with a relay kit, please contact us for more details.



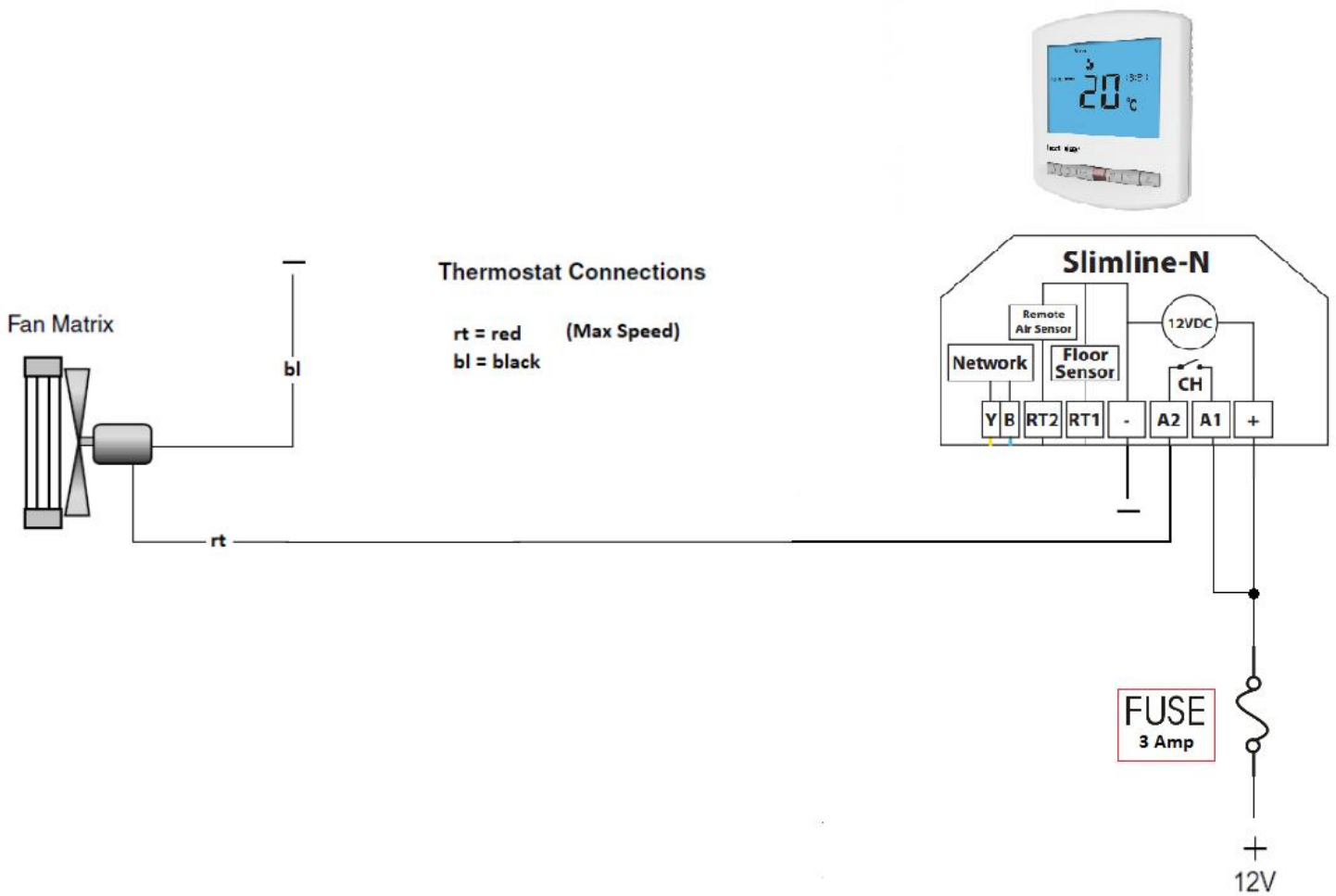
## Option 2 – Fan Blower 2 speed under < 3 amp

This Heatermister setup is designed to work with a fan blower box under 3 amps of electrical power; this diagram below is for blower boxes with 2 speeds; you have the option to buy a 2 speed switch to work alongside your thermostat, please call for more details.



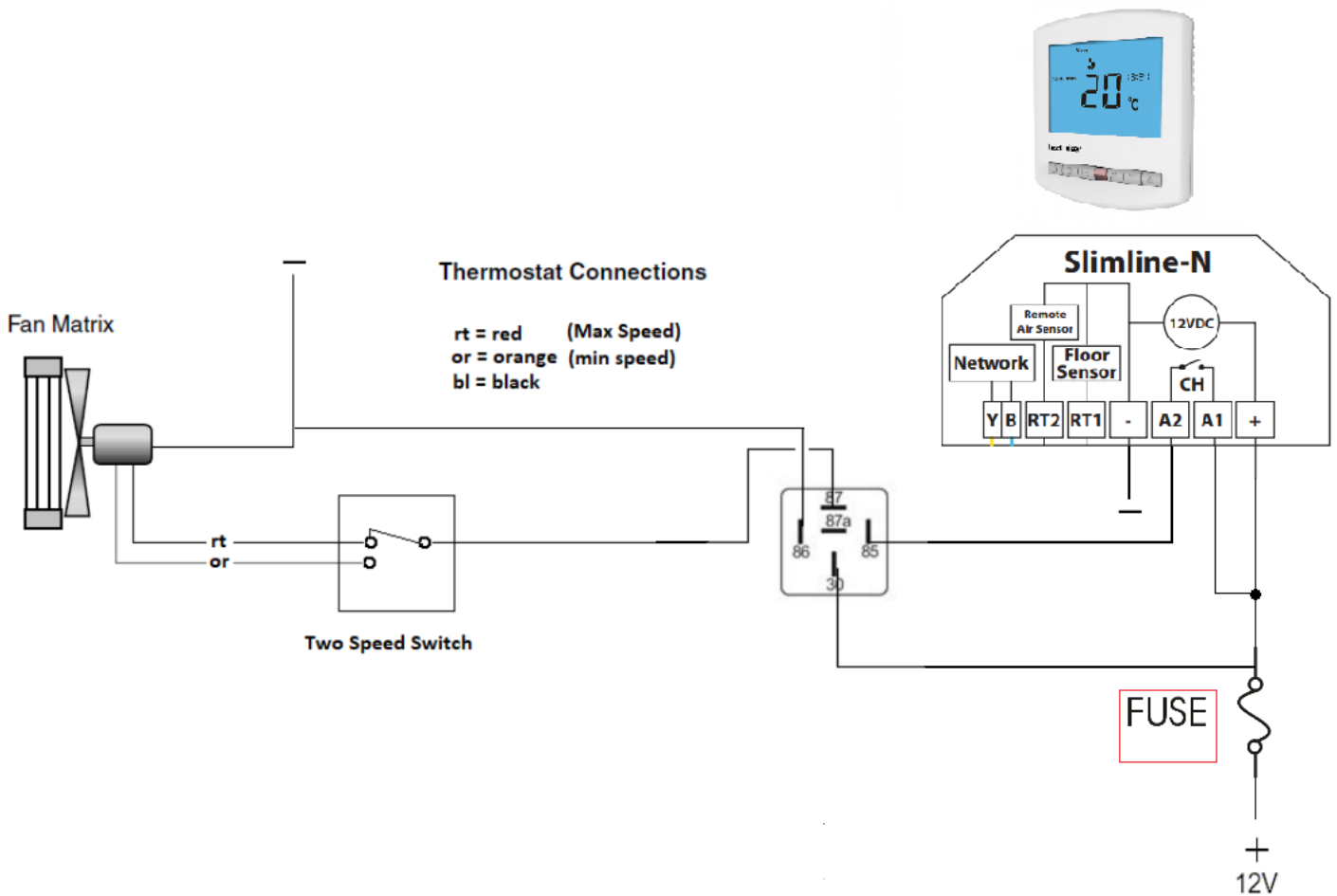
### Option 3 - Fan Blower 1 speed under < 3 amp

Heatermister setup to work with fan blower box under 3 amp of electrical power; this diagram is for blower boxes with 1 speed function.



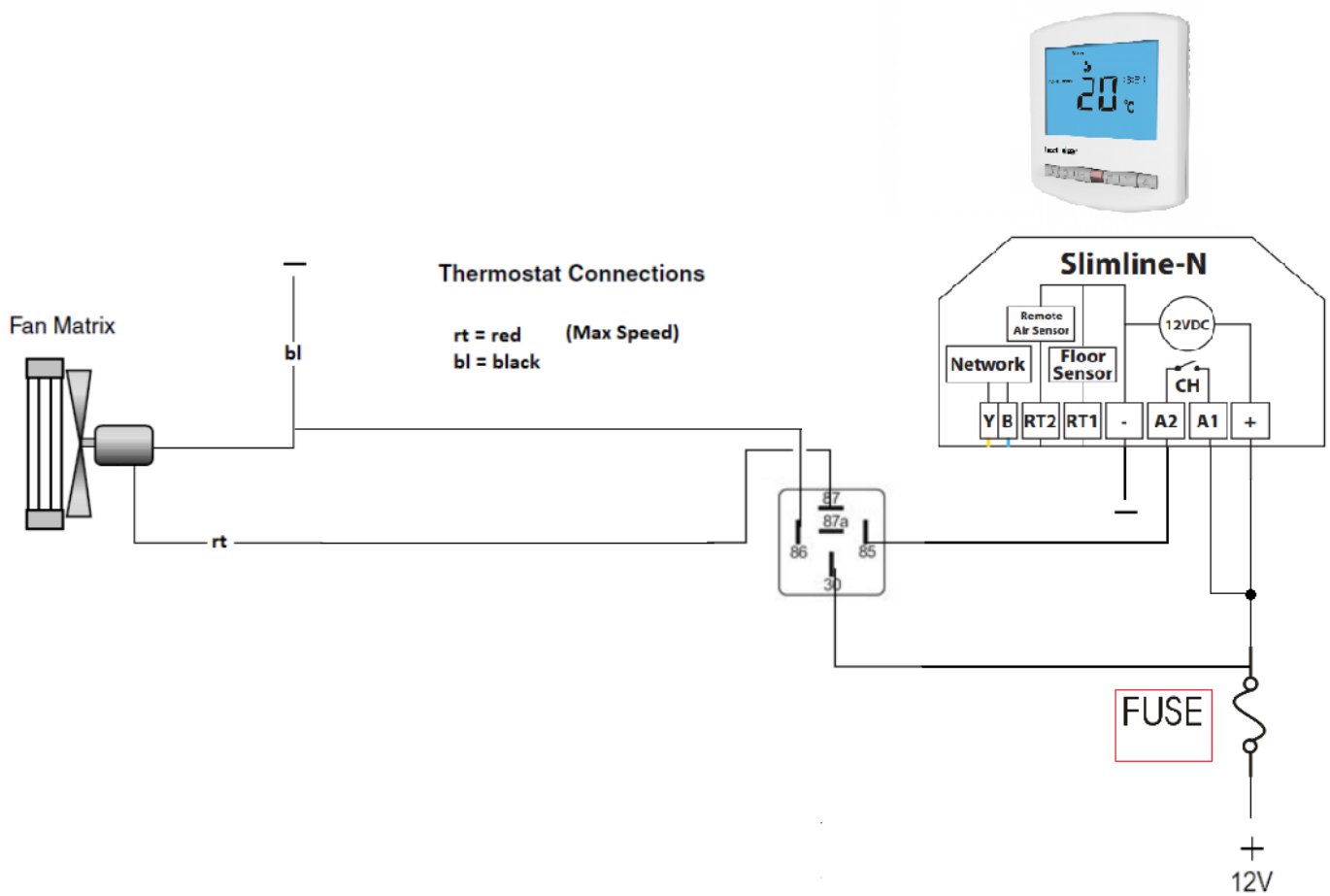
## Option 1 - Fan Blower 2 speed over > 3 amp with relay

Heatermister setup to work with fan blower box over > 3 amp of power with the use of a relay; this diagram is for blower boxes with 2 speeds; you also have the option to buy a 2 speed switch to work alongside your thermostat with a relay kit, please contact us for more details.

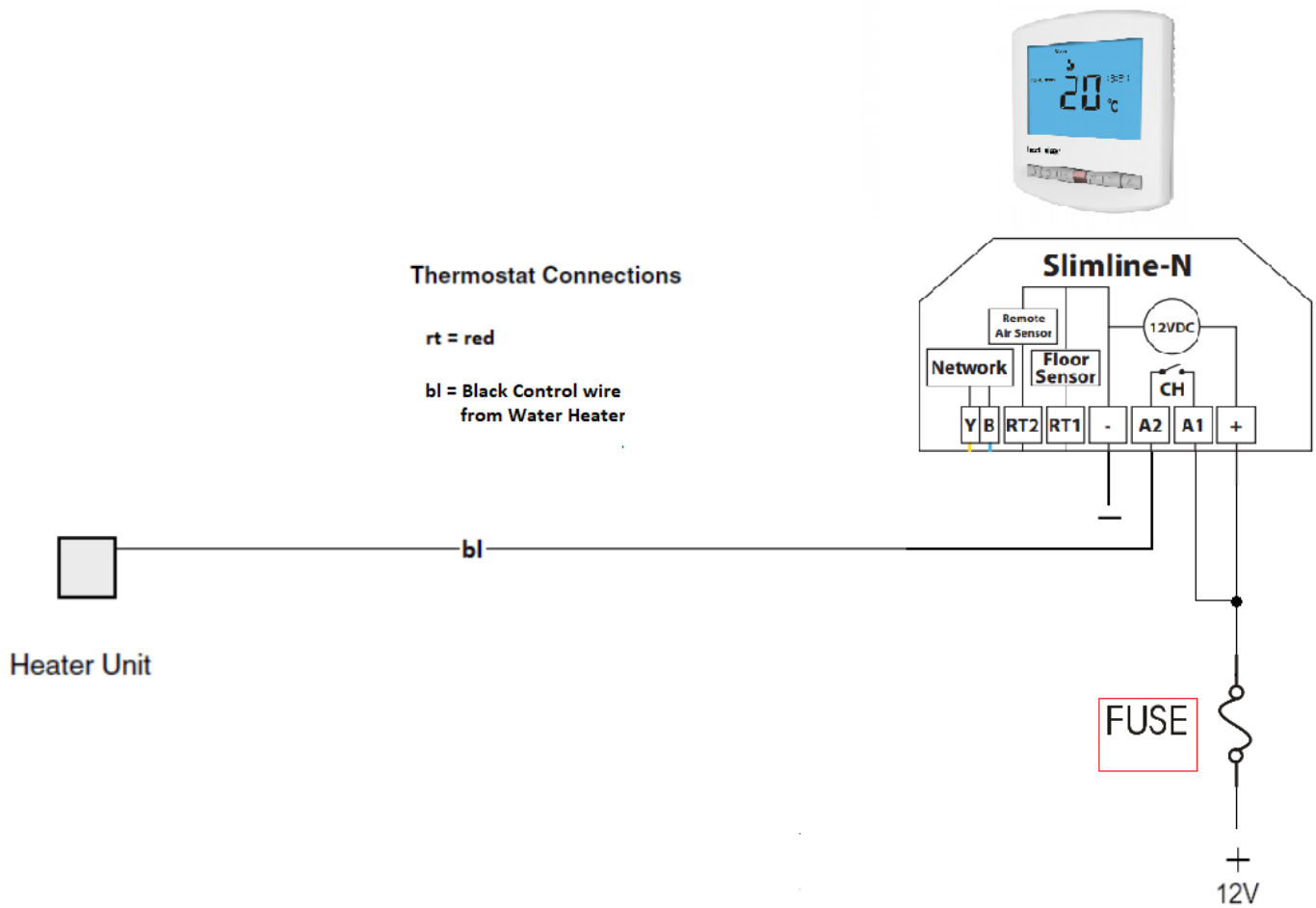


## Option 4 - Fan Blower 1 speed over > 3 amp with relay

Heatermister setup to work with fan blower box over 3 amp which needs a relay; this diagram is for blower boxes with 1 speed. The relay kit can be purchase direct from us, please contact us for more details,



## Option 5 – Webasto Water Heaters



## Option 6 – Eberspacher Water Heaters

