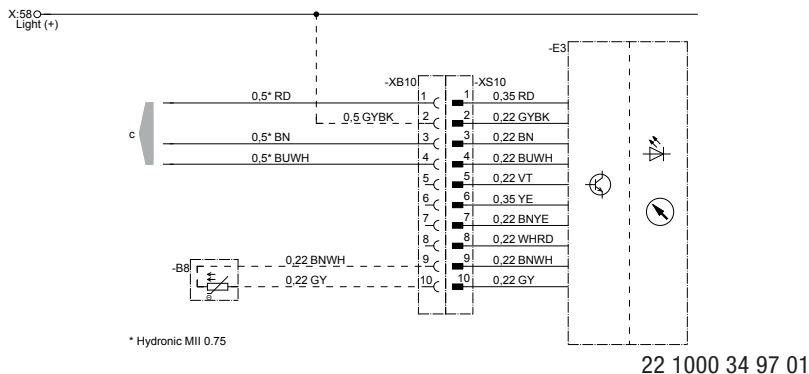


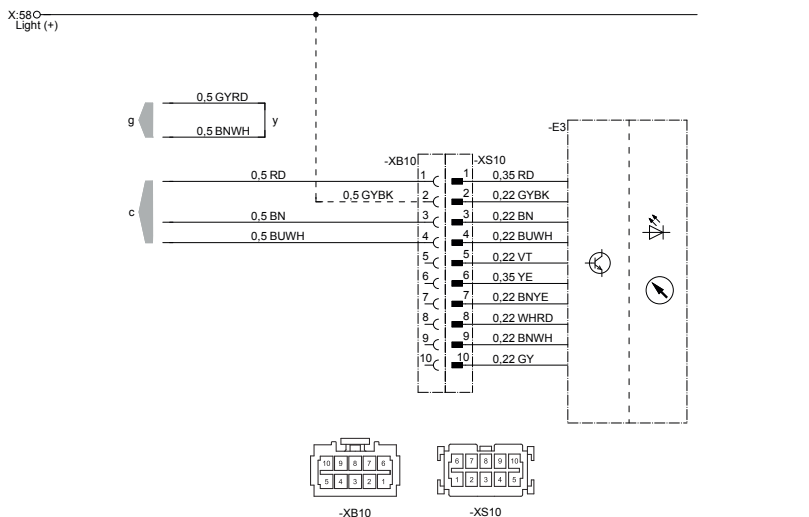
Circuit Diagrams – EasyStart Timer

For Hydronic, Hydronic II, Hydronic II C, Hydronic II Comfort, Hydronic M II, Hydronic S3



Circuit Diagrams – EasyStart Timer

Connection to Airtronic, Airtronic M, Airtronic L



-E3 EasyStart Timer

-B8 Temperature sensor (optional)

c to the heater

g to the heater

y Connect cables and insulate

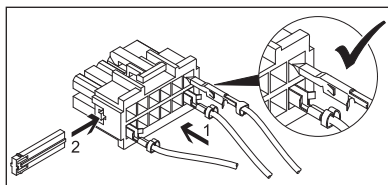
Cable colours

RD	red	GY	grey	BK	black
BU	blue	YE	yellow	GN	green
WH	white	VT	violet	BN	brown

Connector housing pin assignment -XS10 / -XB10

Pin	Signal	Cable colour	Cross-section
1	Terminal 30	red	0.35 mm ²
2	Terminal 58	grey / black	0.22 mm ²
3	Terminal 31	brown	0.35 mm ²
4	Diagnosis	blue / white	0.22 mm ²
5	DAT cable	violet	0.22 mm ²
6	S+	yellow	0.35 mm ²
7	ADR	brown / yellow	0.22 mm ²
8	ADR	white / red	0.22 mm ²
9	Temp (-)	brown / white	0.22 mm ²
10	Temp (+)	grey	0.22 mm ²

Connector housing chamber assignment (assignment seen from the cable inlet side)

Installing the tab connector of the lead harness

***i* Please note!**

- When installing the connector, ensure that the locking tangs always face the middle of the connector. Only in this position to the tangs latch into the housing (see sketch).

***i* Please note!**

- Please find further information on the devices installation and connection on the enclosed CD.

Headquarters:

Eberspächer Climate Control Systems
 GmbH & Co. KG
 Eberspächerstraße 24
 73730 Esslingen
 Hotline: 03976 2350235
 Fax hotline: 01805 262624
 info@eberspaecher.com
 www.eberspaecher.com