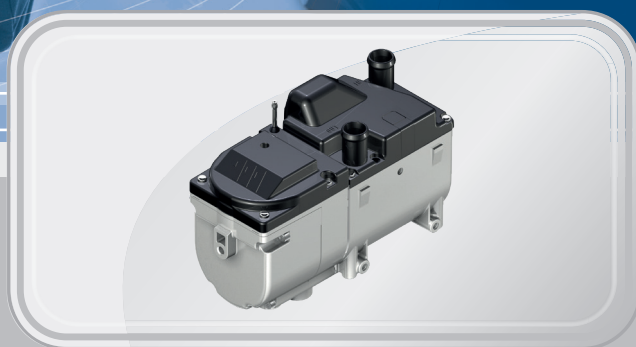


# SPARE PARTS LIST

## HYDRONIC II



**THE SPARE PARTS LIST IS ONLY VALID FOR THE FOLLOWING ENGINE-INDEPENDENT WATER HEATERS**

### Heaters for petrol

B 4 S – 12 V 20 1909 05 00 00  
B 5 S – 12 V 20 1904 05 00 00

### Heaters for bioethanol fuel

E 4 S – 12 V 20 1920 05 00 00

### Heaters for diesel

D 4 S – 12 V 25 2554 05 00 00  
D 5 S – 12 V 25 2526 05 00 00

### Heaters for diesel

with inlet pressure resistant metering pump

D 4 S – 12 V 25 2558 05 00 00  
D 5 S – 12 V 25 2557 05 00 00

## INFORMATION

### **DETERMINATION OF THE QUANTITY REQUIRED FOR THE ORDER**

To determine the quantity of a spare part required and the "VE" (sales units) to order, use the information in the "Number of units per device" and "Number of units per VE" (sales unit or stock-keeping unit)".

### **NUMBER OF UNITS PER DEVICE**

The number in this column indicates how many units of the spare part concerned are installed in the whole device.

### **NUMBER OF UNITS PER VE**

The number in this column indicates how many units of the spare part concerned are included in one sales unit (VE).

### **ORDER NO.**

The order number relates to one sales unit.

---

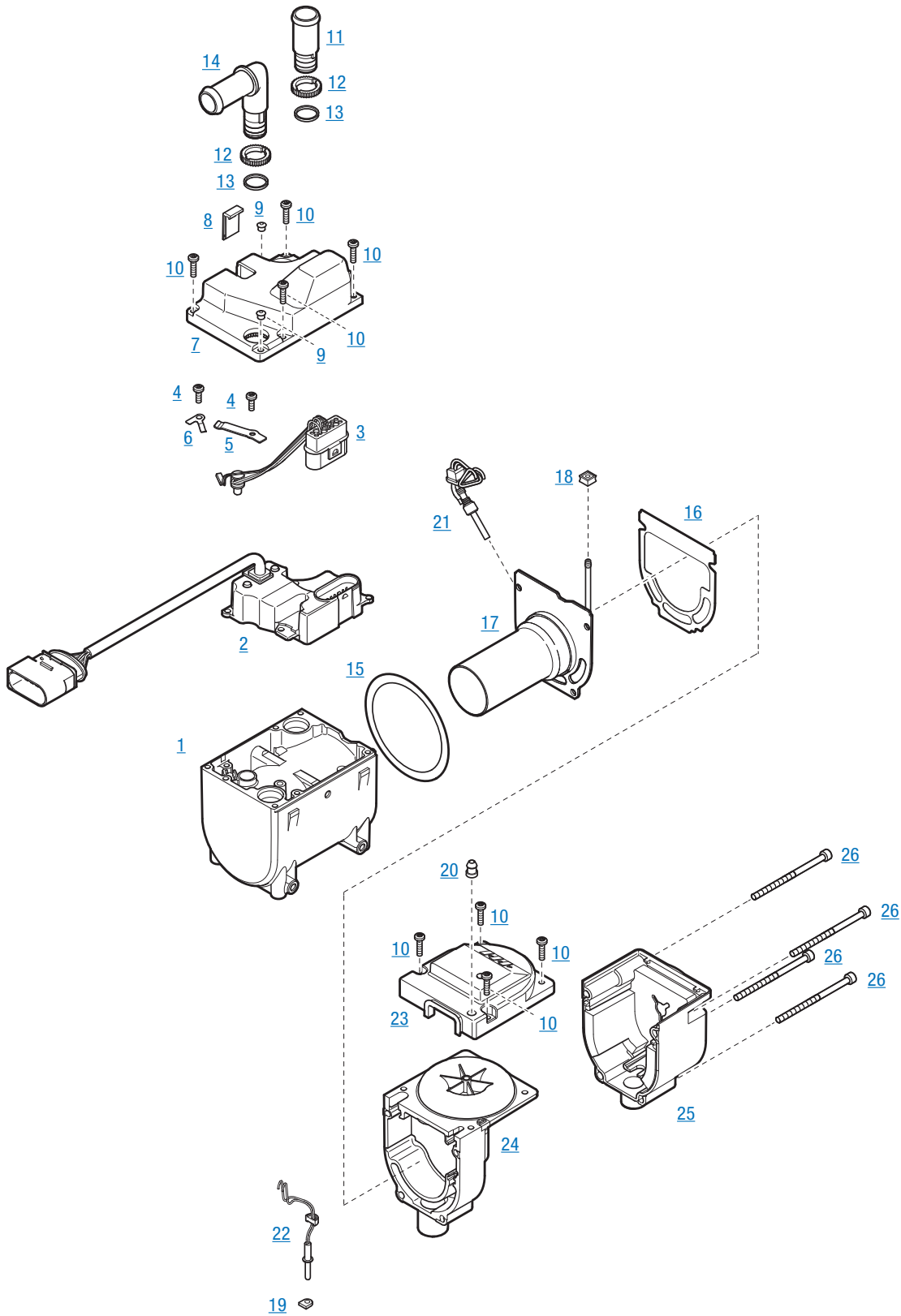
# CONTENTS

CHAPTER	TITLE	CONTENT	PAGE
1	Heater	Spare parts diagram	4
		Spare parts list	5
2	Installation, water and combustion air system	Spare parts diagram	9
		Spare parts list	10
3	Electrics and fuel system	Spare parts diagram	11
		Spare parts list	12

---

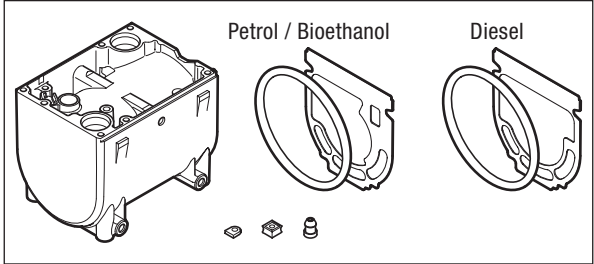
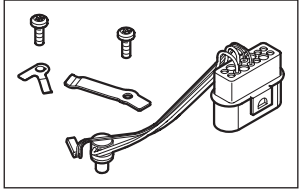
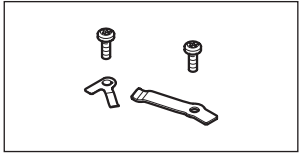
# 1 HEATER

## SPARE PARTS DIAGRAM

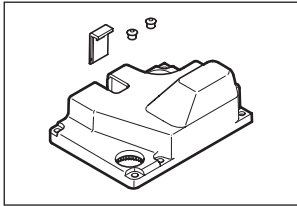
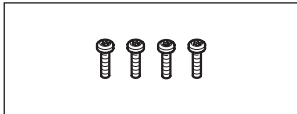
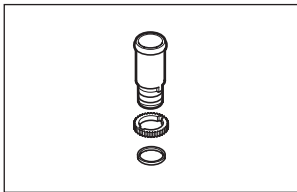
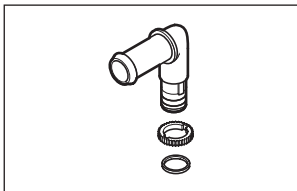


# 1 HEATER

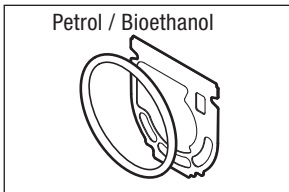
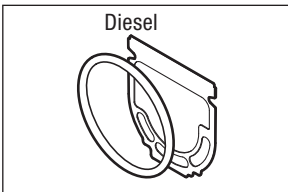
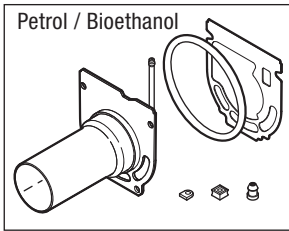
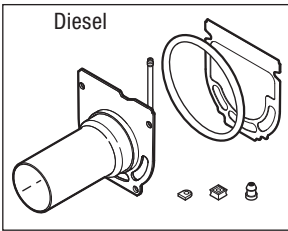
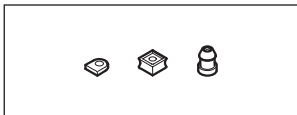
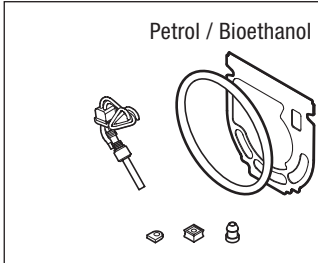
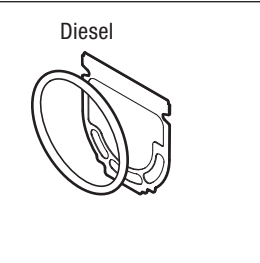
## SPARE PARTS LIST

Item No.	Number of units per device	Number of units per VE	Designation	Order No. (VE)	For device							
					20 1909 05	20 1904 05	20 1920 05	25 2554 05	25 2526 05	25 2557 05	25 2558 05	
1	1	–	Jacket and heat exchanger	<a href="#">See Item 1.1</a>								
1.1	1	1	Jacket and heat exchanger kit includes: <a href="#">Item 1</a> , <a href="#">15</a> , <a href="#">16</a> , <a href="#">18</a> , <a href="#">19</a> , <a href="#">20</a>	25 2526 01 01 00	•	•	•	•	•	•	•	
												
2	1	1	Control box	22 5206 01 80 01 22 5206 02 10 04 22 5206 02 20 02 22 5206 02 20 01 22 5206 02 10 03 22 5206 01 20 03			•					
3	1	–	Lead harness, heater	<a href="#">See Item 3.1</a>								
3.1	1	1	Lead harness kit, heater includes: <a href="#">Item 3</a> , <a href="#">4</a> , <a href="#">5</a> , <a href="#">6</a>	25 2526 99 01 21	•	•	•	•	•	•	•	
												
4	2	–	Screw, M4 x 12	<a href="#">See Item 6.1</a>								
5	1	–	Compression spring, overheating sensor	<a href="#">See Item 6.1</a>								
6	1	–	Compression spring, surface sensor	<a href="#">See Item 6.1</a>								
6.1	1	1	Compression spring kit includes: <a href="#">Item 4</a> , <a href="#">5</a> , <a href="#">6</a>	25 2526 99 01 08	•	•	•	•	•	•	•	
												
7	1	–	Cover, control box	<a href="#">See Item 7.1</a>								

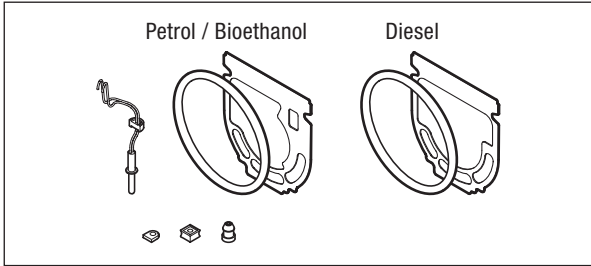
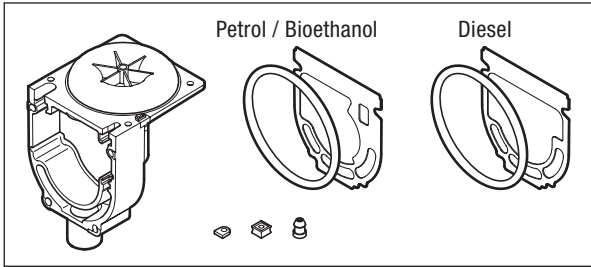
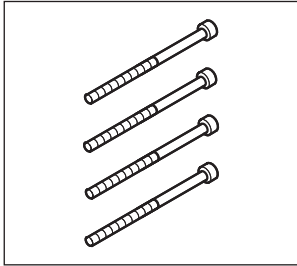
# 1 HEATER

Item No.	Number of units per device	Number of units per VE	Designation	Order No. (VE)	For device						
					20 1909 05	20 1904 05	20 1920 05	25 2554 05	25 2526 05	25 2557 05	25 2558 05
7.1	1	1	Cover kit, control box includes: <a href="#">Item 7, 8, 9</a>	25 2526 05 00 11	•	•	•	•	•	•	•
											
8	1	1	Cover, cable, control box	25 2281 01 00 06	•	•	•	•	•	•	•
9	2	–	Ribbed insert	<a href="#">See Item 7.1</a>							
10	8	–	Screw, M4 x 16	<a href="#">See Item 10.1</a>							
10.1	2	1	Screw kit, M4 x 16 (4 screws) includes: <a href="#">Item 10</a>	25 2526 99 00 31	•	•	•	•	•	•	•
											
11	2	–	Water pipe socket, straight, di = 20 mm	<a href="#">See Item 11.1</a>							
11.1	1	1	Water pipe socket kit, straight, di = 20 mm includes: <a href="#">Item 11, 12, 13</a>	25 2526 99 01 06	•	•	•	•	•	•	•
											
12	2	2	Toothed ring	25 2216 01 00 10	•	•	•	•	•	•	•
13	2	4	O-ring, 16 x 2	22 1000 70 00 19	•	•	•	•	•	•	•
14	2	–	Water pipe socket, 90°, di = 20 mm	<a href="#">See Item 14.1</a>							
14.1	1	1	Water pipe socket kit, 90°, di = 20 mm includes: <a href="#">Item 12, 13, 14</a>	25 2526 80 03 00	•	•	•	•	•	•	•
											
15	1	–	Seal, combustion chamber flange / heat exchanger	<a href="#">See Item 16.1</a>							

# 1 HEATER

Item No.	Number of units per device	Number of units per VE	Designation	Order No. (VE)	For device						
					20 1909 05	20 1904 05	20 1920 05	25 2554 05	25 2526 05	25 2557 05	25 2558 05
16	1	–	Seal, combustion chamber housing / fan	<a href="#">See Item 16.1</a>							
16.1	1	1	Seal kit includes: <a href="#">Item 15, 16</a>	20 1904 99 01 11 25 2526 99 01 10	•	•	•	•	•	•	•
			<div style="display: flex; justify-content: space-around;"> <div style="text-align: center;"> <p>Petrol / Bioethanol</p>  </div> <div style="text-align: center;"> <p>Diesel</p>  </div> </div>								
17	1	–	Combustion chamber	<a href="#">See Item 17.1</a>							
17.1	1	1	Combustion chamber kit includes: <a href="#">Item 15, 16, 17, 18, 19, 20</a>	20 1904 10 00 00 25 2526 10 00 00	•	•	•	•	•	•	•
			<div style="display: flex; justify-content: space-around;"> <div style="text-align: center;"> <p>Petrol / Bioethanol</p>  </div> <div style="text-align: center;"> <p>Diesel</p>  </div> </div>								
18	1	–	Grommet, fuel pipe	<a href="#">See Item 20.1</a>							
19	1	–	Grommet, flame sensor	<a href="#">See Item 20.1</a>							
20	1	–	Grommet, fuel pipe	<a href="#">See Item 20.1</a>							
20.1	1	1	Grommets kit for combustion chamber includes: <a href="#">Item 18, 19, 20</a>	25 2526 99 01 04	•	•	•	•	•	•	•
											
21	1	–	Glow plug	<a href="#">See Item 21.1</a>							
21.1	1	1	Glow plug kit includes: <a href="#">Item 15, 16, 18, 19, 20, 21</a>	25 2526 99 01 11	•	•	•	•	•	•	•
			<div style="display: flex; justify-content: space-around;"> <div style="text-align: center;"> <p>Petrol / Bioethanol</p>  </div> <div style="text-align: center;"> <p>Diesel</p>  </div> </div>								
22	1	–	Sensor, flame monitoring	<a href="#">See Item 22.1</a>							

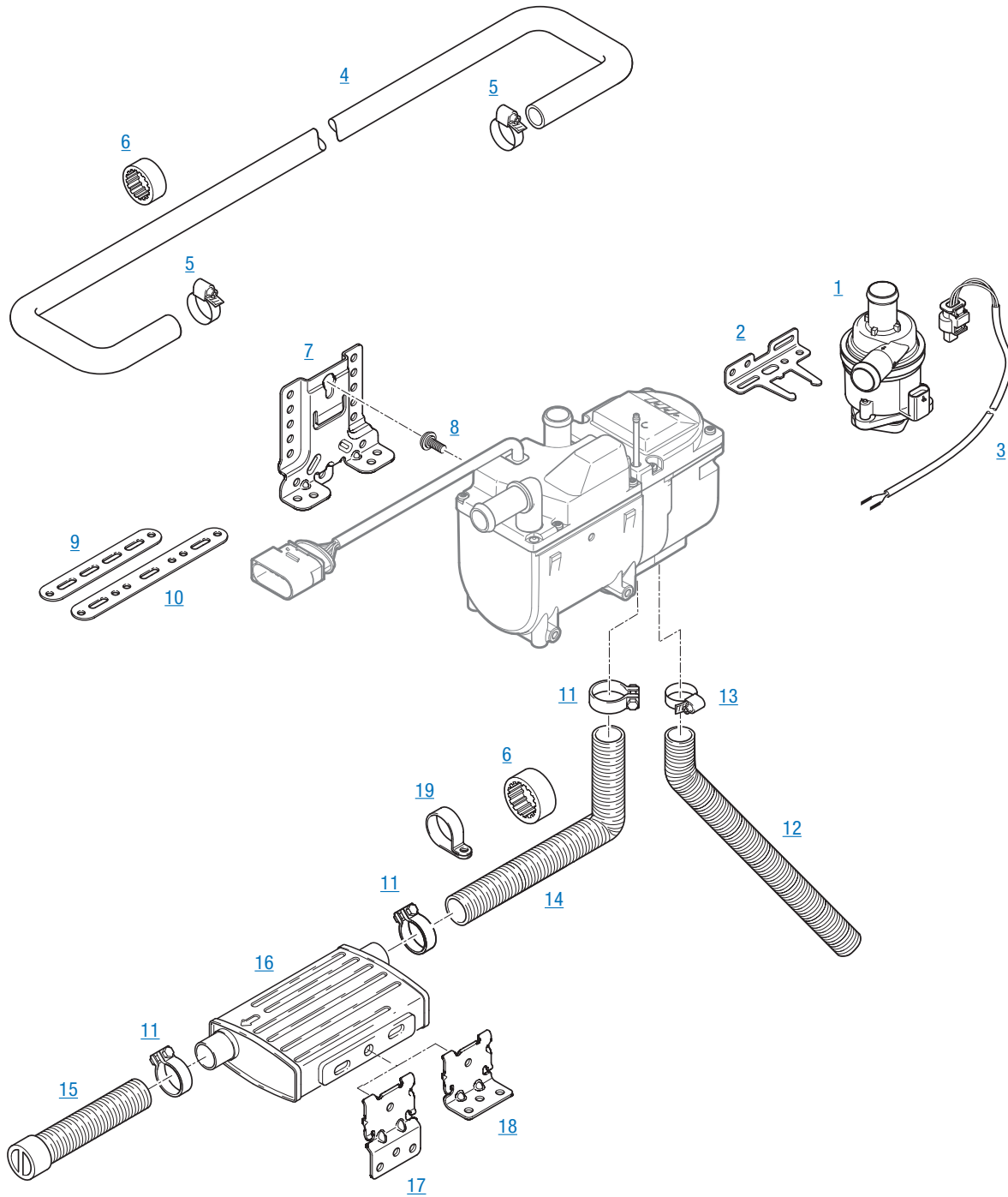
# 1 HEATER

Item No.	Number of units per device	Number of units per VE	Designation	Order No. (VE)	For device							
					20 1909 05	20 1904 05	20 1920 05	25 2554 05	25 2526 05	25 2557 05	25 2558 05	
22.1	1	1	Sensor kit, flame monitoring includes: <a href="#">Item 15</a> , <a href="#">16</a> , <a href="#">18</a> , <a href="#">19</a> , <a href="#">20</a> , <a href="#">22</a>	25 2526 99 36 00	•	•	•	•	•	•	•	
												
23	1	1	Cover, fan, with seal	25 2424 01 03 00	•	•	•	•	•	•	•	
24	1	–	Fan	<a href="#">See Item 24.1</a> or <a href="#">Item 24.2</a>								
24.1	1	1	Fan kit includes: <a href="#">Item 15</a> , <a href="#">16</a> , <a href="#">18</a> , <a href="#">19</a> , <a href="#">20</a> , <a href="#">24</a>	25 2526 99 15 00	•	•	•	•	•	•	•	
												
24.2	1	1	Fan Additional items required: <a href="#">Item 16</a>	25 2565 99 16 00			•					
25	1	1	Cover, electric motor, complete	25 2424 01 06 00 25 2424 01 04 00	•	•	•	•	•	•	•	
26	4	–	Screw, M5 x 80	<a href="#">See Item 26.1</a>								
26.1	1	1	Screw kit, M5 x 80 (4 screws) includes: <a href="#">Item 26</a>	25 2278 01 00 30	•	•	•	•	•	•	•	
												



## 2 INSTALLATION, WATER AND COMBUSTION AIR SYSTEM

### SPARE PARTS DIAGRAM



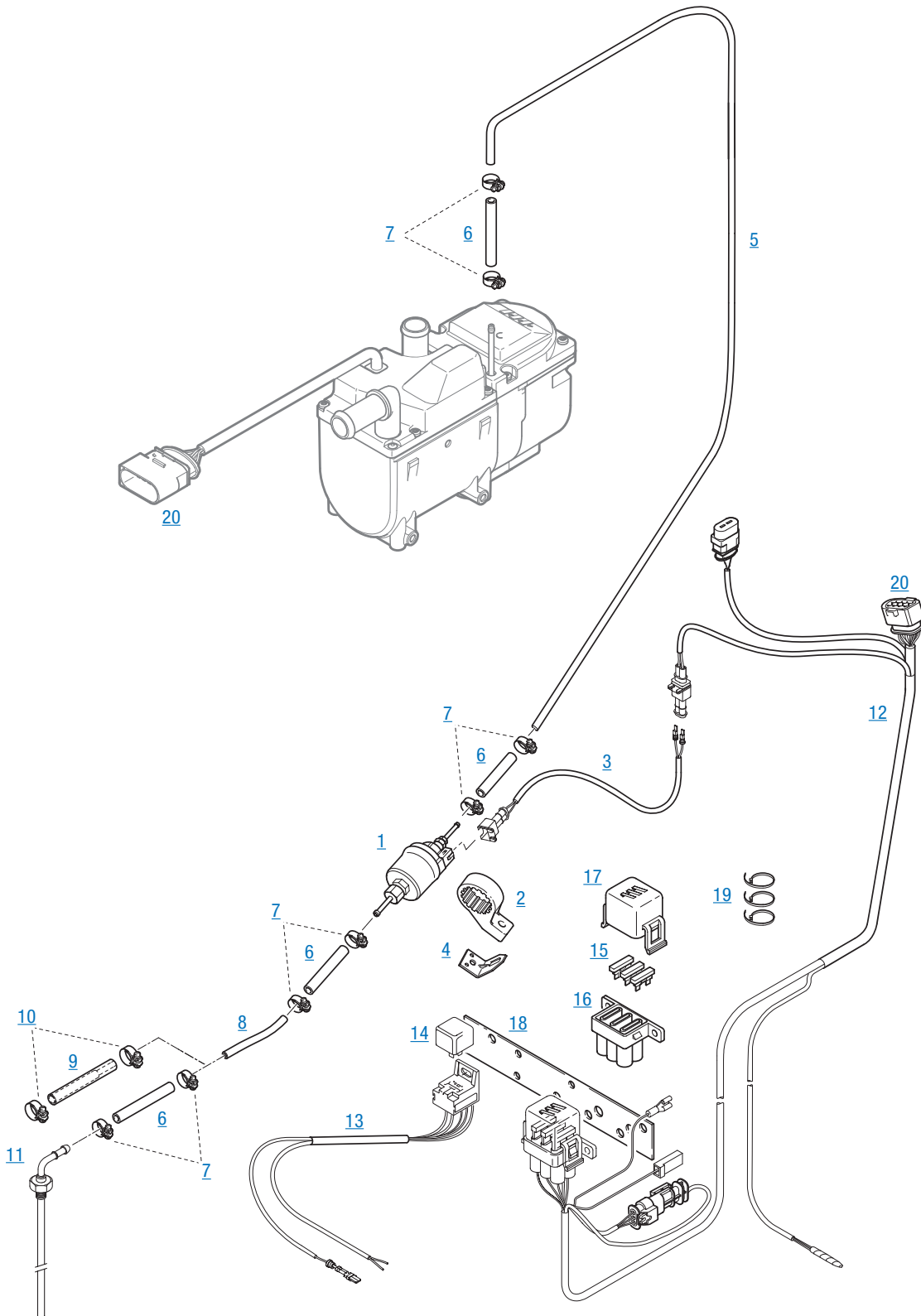
## 2 INSTALLATION, WATER AND COMBUSTION AIR SYSTEM

### SPARE PARTS LIST

Item No.	Number of units per device	Number of units per VE	Designation	Order No. (VE)	For device						
					20 1909 05	20 1904 05	20 1920 05	25 2554 05	25 2526 05	25 2557 05	25 2558 05
1	1	1	Water pump, 12 V	25 2526 25 00 00	•	•	•	•	•	•	•
2	1	1	Bracket, water pump	22 1000 51 39 00	•	•	•	•	•	•	•
3	1	1	Lead harness, 12 V, L = 2 m	25 2526 80 12 00	•	•	•	•	•	•	•
4	–	1	Hose, water, di = 20 mm	25 1917 80 00 01	•	•	•	•	•	•	•
5	–	1	Hose clip, 20 - 32 mm	10 2067 02 00 32	•	•	•	•	•	•	•
6	–	1	Ring, 21 / 40	22 1000 50 10 02	•	•	•	•	•	•	•
7	1	1	Bracket, heater	22 1000 51 37 00	•	•	•	•	•	•	•
8	1	1	Special screw	25 2526 80 01 01	•	•	•	•	•	•	•
9	–	1	Bracket, straight, L = 135 mm	22 9000 50 93 05	•	•	•	•	•	•	•
10	–	1	Bracket, straight, L = 180 mm	22 9000 50 93 06	•	•	•	•	•	•	•
11	3	1	Clip	22 1000 51 44 00	•	•	•	•	•	•	•
12	1	1	Double pipe, combustion air, sound absorbing, di = 20 mm	360 00 179	•	•	•	•	•	•	•
13	1	1	Hose clip, 16 - 25 mm	10 2067 01 60 25	•	•	•	•	•	•	•
14	1	1	Hose, exhaust, di = 24 mm, L = 900 mm	360 61 274	•	•	•	•	•	•	•
15	1	1	Hose, exhaust, di = 24 mm, L = 300 mm with end sleeve	20 1731 80 04 00	•	•	•	•	•	•	•
16	1	1	Exhaust silencer	22 1000 40 19 00	•	•	•	•	•	•	•
17	1	1	Bracket, exhaust silencer, Z-shape	22 1000 51 35 00	•	•	•	•	•	•	•
18	1	1	Bracket, exhaust silencer, L-shape	22 1000 51 34 00	•	•	•	•	•	•	•
19	–	1	Clip, ø 28 mm	152 09 010	•	•	•	•	•	•	•

## 3 ELECTRICS AND FUEL SYSTEM

### SPARE PARTS DIAGRAM



### 3 ELECTRICS AND FUEL SYSTEM

#### SPARE PARTS LIST

Item No.	Number of units per device	Number of units per VE	Designation	Order No. (VE)	For device						
					20 1909 05	20 1904 05	20 1920 05	25 2554 05	25 2526 05	25 2557 05	25 2558 05
1	1	1	Fuel metering pump, 12 V	22 4517 08 00 00 22 4549 01 00 00	•	•	•	•	•		
2	1	1	Bracket, fuel metering pump	22 1000 50 04 00	•	•	•	•	•	•	•
3	1	1	Lead harness, fuel metering pump, L = 6 m	22 1000 33 08 00	•	•	•	•	•	•	•
4	–	1	Bracket	20 1348 03 00 02	•	•	•	•	•	•	•
5	–	m	Pipe, 1.25 DIN 73378, transparent	890 31 118	•	•		•	•	•	•
		m	Pipe, 4 × 1.25 VW TL 524 35-A, black	890 31 139			•				
6	–	m	Hose, 3.5 × 3	360 75 400	•	•		•	•	•	•
7	8	1	Hose clip, ø 9 mm	10 2068 00 90 98	•	•	•	•	•	•	•
8	–	m	Pipe, 4 x 1, DIN 73378, blue	890 31 054	•	•		•	•	•	•
		m	Pipe, 4 × 1 VW TL 524 35-A, black	890 31 138			•				
9	1	1	Adapter, ø 7.5 / 3.5 mm	22 1000 20 30 00	•	•	•	•	•	•	•
10	2	1	Hose clip, ø 11 mm	10 2068 01 10 98	•	•	•	•	•	•	•
11	1	1	Tank connection, di = 4 mm	22 1000 20 16 00	•	•	•	•	•	•	•
12	1	1	Cable harness, heater	25 2526 80 10 00	•	•	•	•	•	•	•
13	1	1	Cable harness, fan	22 1000 33 04 00	•	•	•	•	•	•	•
14	1	1	Relay, 12 V	203 00 095	•	•	•	•	•	•	•
15	1	1	Fuse insert, 5 A	204 00 001	•	•	•	•	•	•	•
			Fuse insert, 25 A	204 00 005	•	•	•	•	•	•	•
			Fuse insert, 20 A	204 00 004	•	•	•	•	•	•	•
16	1	1	Fuse holder, housing, receptacle	22 1000 31 06 01	•	•	•	•	•	•	•
17	1	1	Fuse holder, cover	22 1000 31 06 02	•	•	•	•	•	•	•
18	1	1	Combined bracket	22 1000 51 21 00	•	•	•	•	•	•	•
19	–	1	Set of cable ties - 10 No. 2.5 x 100 mm - 20 No. 5.0 x 200 mm - 5 No. 4.6 x 390 mm	25 2526 99 80 07	•	•	•	•	•	•	•
20	1	2	Plug Set, 10-pole	22 9000 81 00 02	•	•	•	•	•	•	•

Eberspächer Climate Control Systems  
GmbH & Co. KG  
Eberspächerstraße 24  
73730 Esslingen  
info@eberspaecher.com  
www.eberspaecher.com

