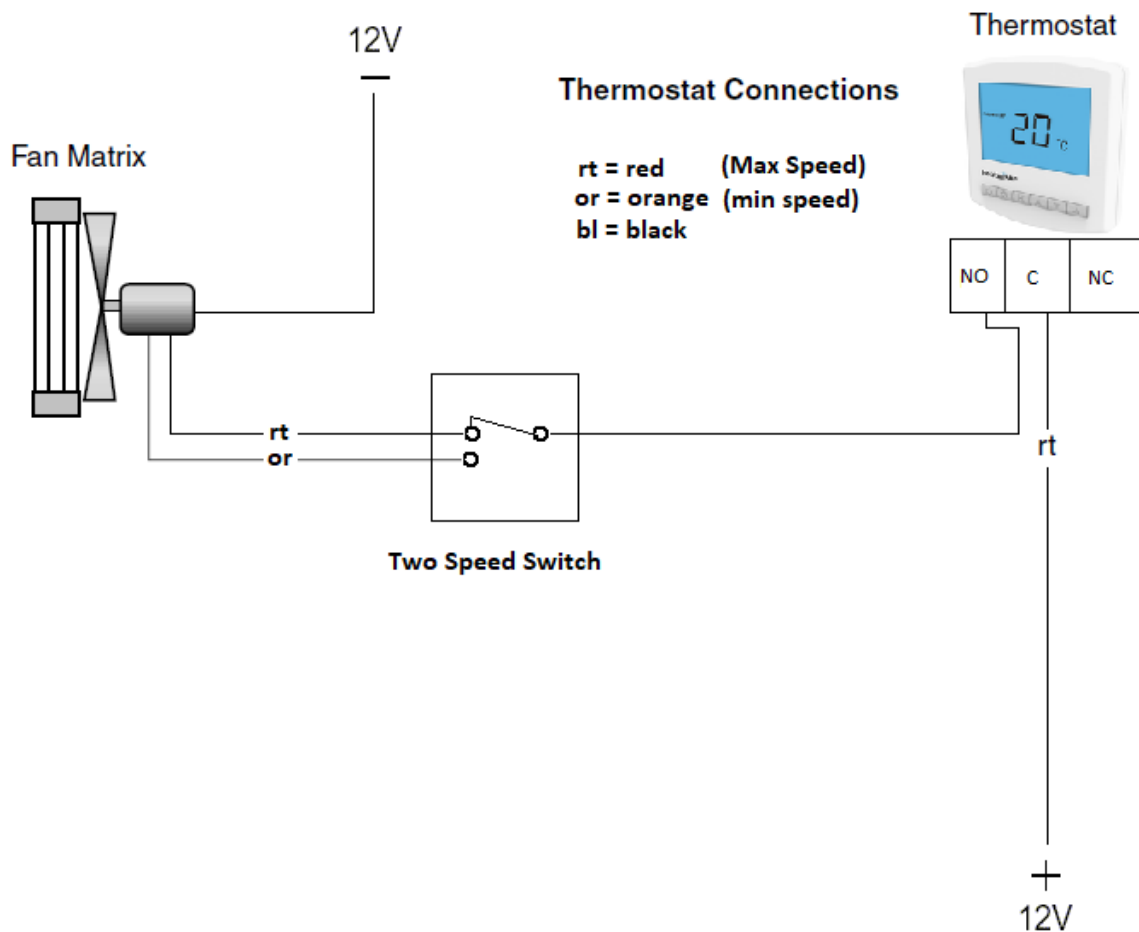


Wiring Information for the **DT-B** & **PRT-B** Heatmiser Thermostats to work with blower boxes, Webasto/Eberspacher Water Heaters.

For free tech support, please call (01924 274774)

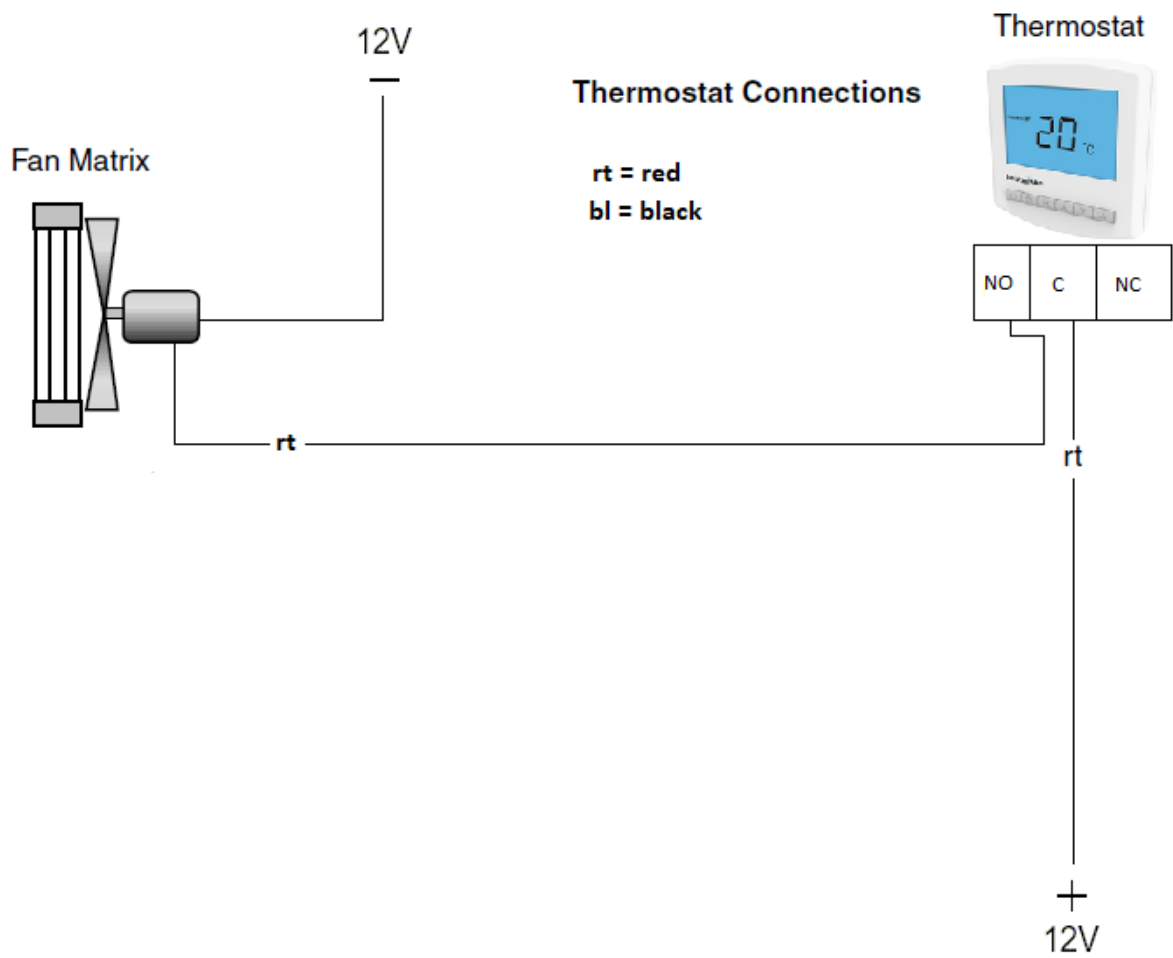
**Option 1 – Fan Blower 2 speed under < 3 amp**

Heatermiser setup to work with fan blower box under 3 amp of power; this diagram below is for blower boxes with 2 speeds; you have the option to buy a 2 speed switch to work alongside your thermostat, please call for more details.



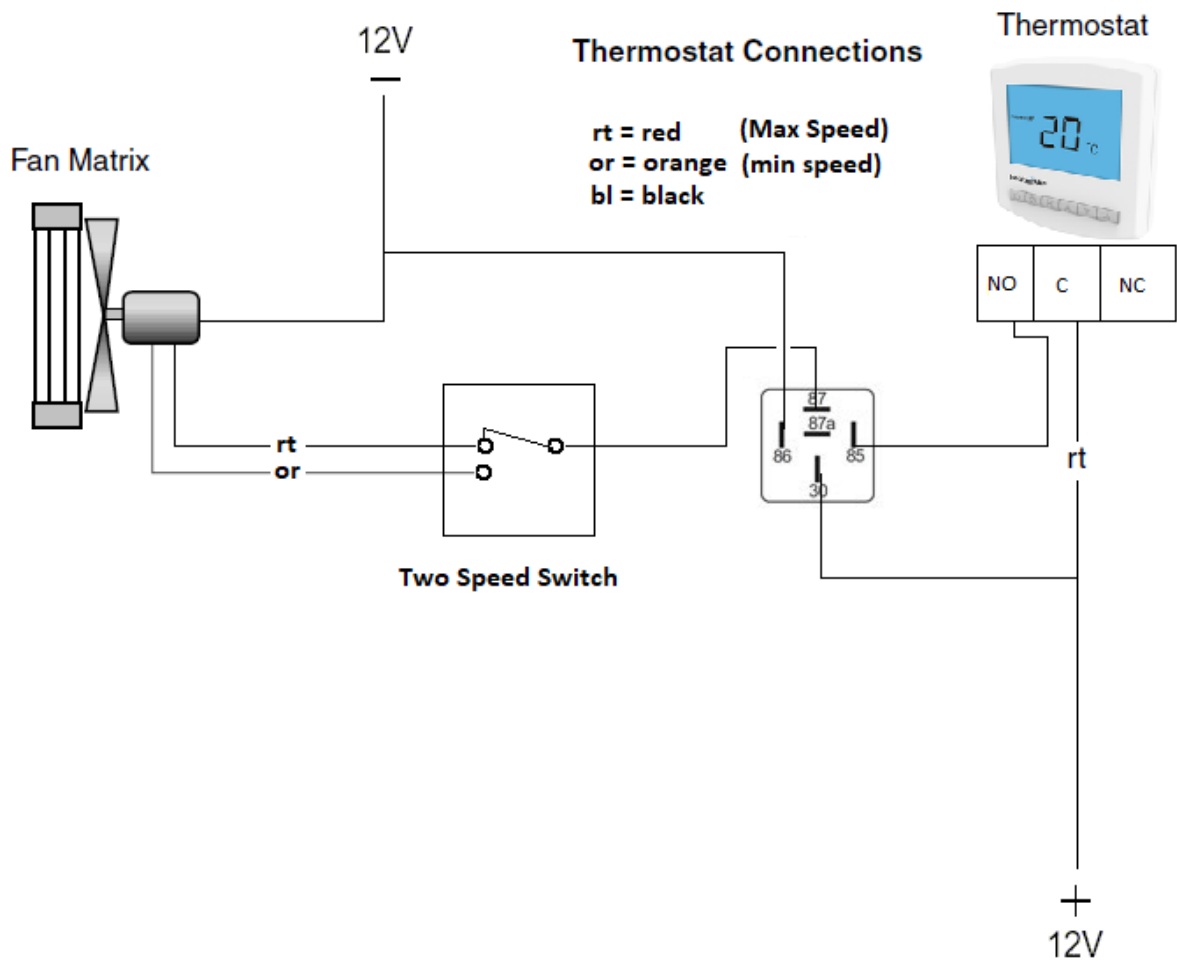
## Option 2 - Fan Blower 1 speed under < 3 amp

Heatermister setup to work with fan blower box under 3 amp of power; this diagram is for blower boxes with 1 speed.



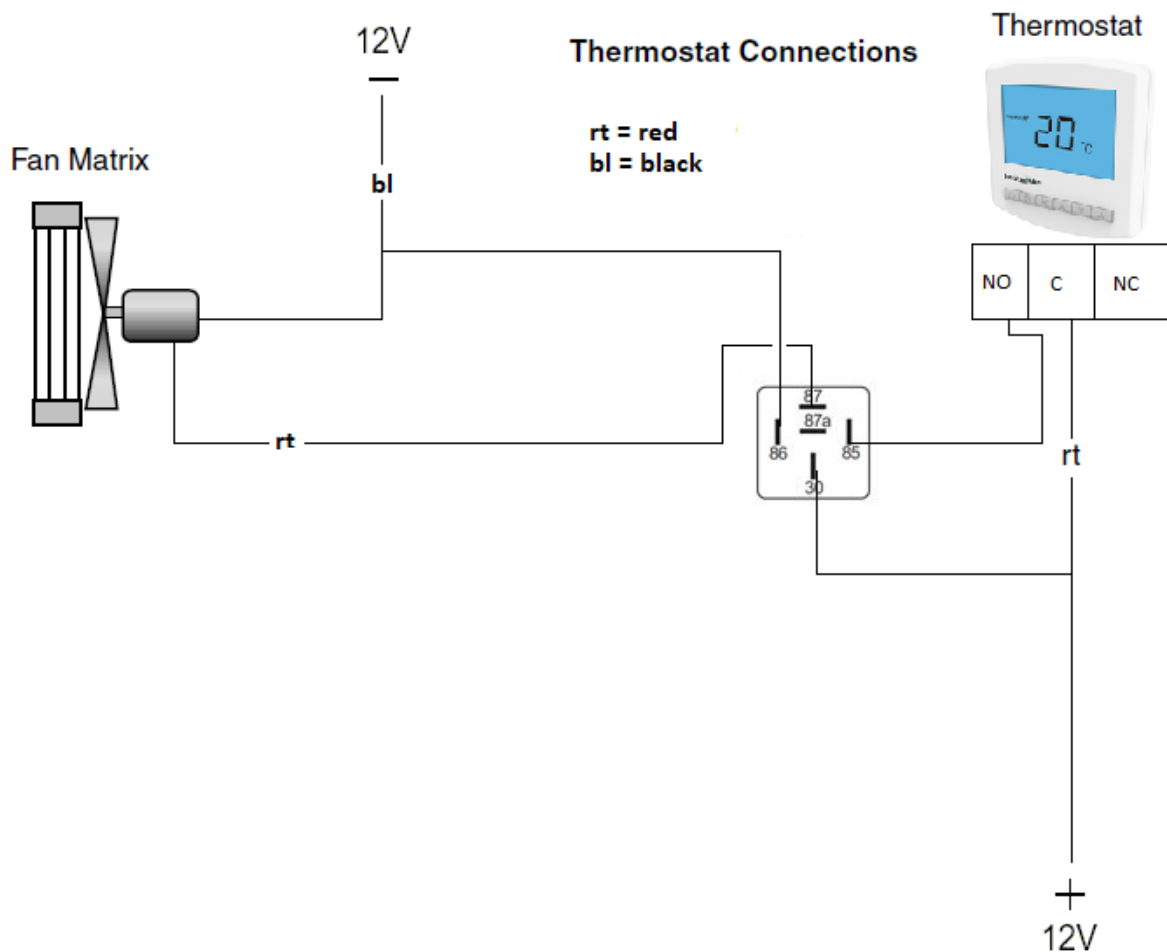
### Option 3 - Fan Blower 2 speed over > 3 amp with relay

Heatermister setup to work with fan blower box over > 3 amp of power with the use of a relay; this diagram is for blower boxes with 2 speeds; you also have the option to buy a 2 speed switch to work alongside your thermostat with a relay kit, please contact us for more details.

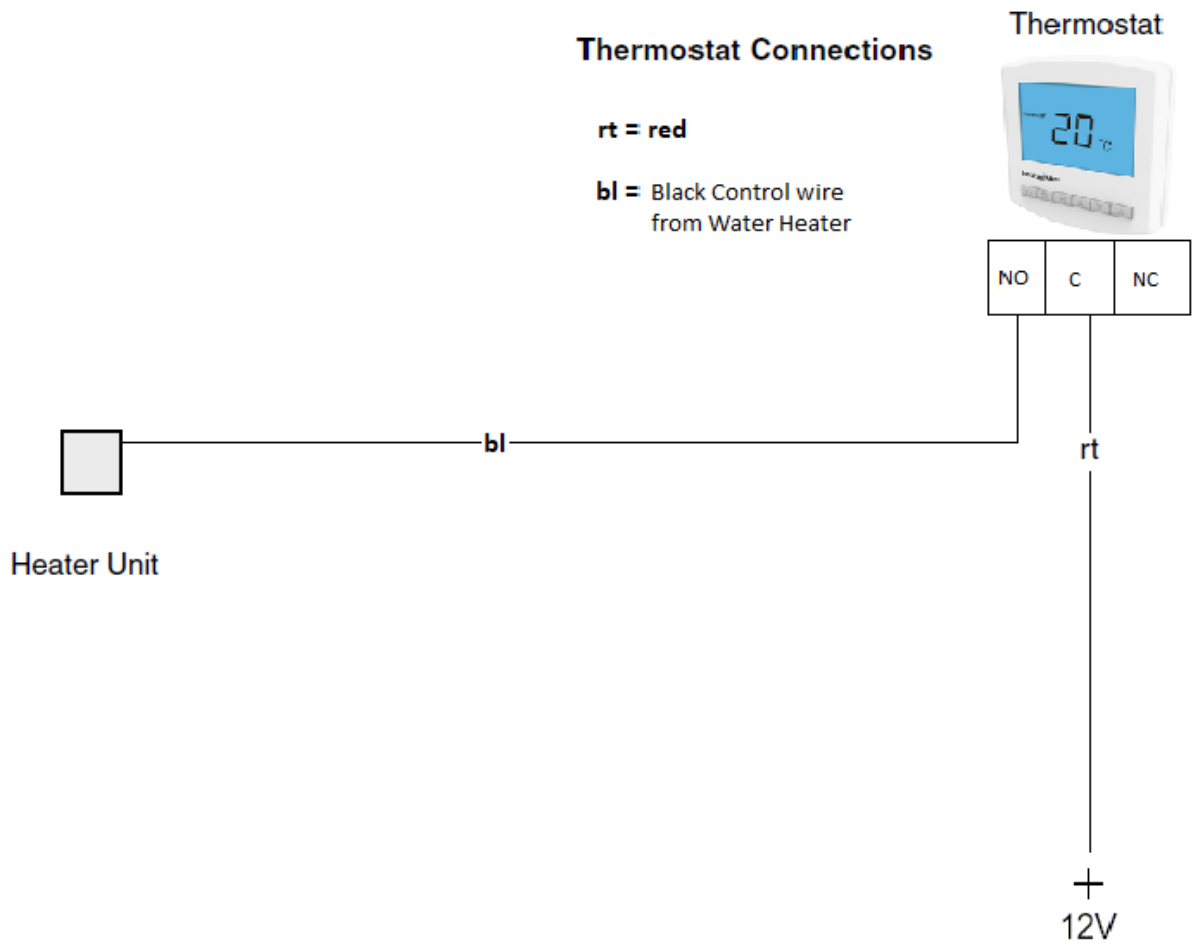


## Option 4 - Fan Blower 1 speed over > 3 amp with reply

Heatermister setup to work with fan blower box over 3 amp which needs a reply; this diagram is for blower boxes with 1 speed. The reply kit can be purchase direct from us, please contact us for more details,



## Option 4 - Webasto Water Heaters



## Option 4 - Eberspacher Water Heaters

