

EN / HEATER AND AC SYSTEM / TECHNICAL DOCUMENTATION

SPARE PARTS LIST

COMPACT EV01 HV

This spare parts list is valid for the following products:

Model	Part number
COMPACT EV01 HV E 12V Ø16	8300 12032000
COMPACT EV01 HV ED4 12V Ø16	8300 12032001
COMPACT EV01 HV G 12V Ø16	8300 12032002
COMPACT EV01 HV FAI 12V Ø16	8300 12032003
COMPACT EV01 HV KC 12V Ø16	8300 12032013
COMPACT EV01 HV ED1 12V Ø16	8300 12032015
COMPACT EV01 HV E 24V Ø16	8300 12032100
COMPACT EV01 HV ED4 24V Ø16	8300 12032101
COMPACT EV01 HV G 24V Ø16	8300 12032102
COMPACT EV01 HV FAI 24V Ø16	8300 12032103
COMPACT EV01 HV KC 24V Ø16	8300 12032113
COMPACT EV01 HV ED1 24V Ø16	8300 12032115

1 INFORMATION

1.1	General information	3
1.2	Reference documents	3
1.3	Determining the quantity required for the order	3
1.4	Unavailable component	3
1.5	Specifications	3
1.6	Using the nameplate to determine the serial number and production date	3

2 COMPACT EV01 HV

2.1	Spare part diagram COMPACT EV01 HV	4
2.2	Spare part list	5

3 COMPACT EV01 HV DIFFUSER

3.1	Spare part diagram	6
3.2	Spare part diagram FAI	7
3.3	Spare part list	8

1 Information

1.1 General information

This document is to be used when ordering spare parts for the units listed on the title page, to the exclusion of all liability claims. Depending on the version or revision status of the unit, differences may occur compared to this documentation. Please check this before ordering the spare parts and take any possible differences into account

1.2 Reference documents

Instruction manual

Describes the function and proper installation and contains all information necessary for safe operation of the unit.

Repair instructions

Contains the necessary information for troubleshooting and for repair of the unit.

1.3 Determining the quantity required for the order

The information in the "quantity per unit" and "quantity per SU" (sales unit) columns is used to determine the quantity of a spare part required and the SU (sales units) to be ordered.

Quantity per unit

The number in this column indicates how many of the spare part concerned are installed in the whole unit

1.4 Unavailable component

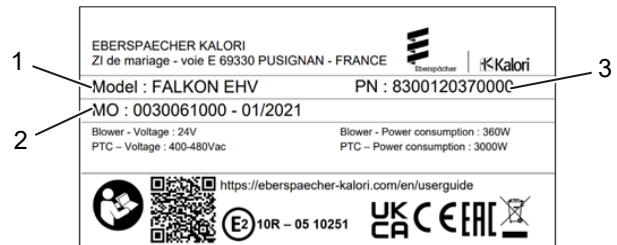
The component not listed cannot be ordered. These components can be not specifics components or component with a specific assembly or with an important risk.

1.5 Specifications

Some components must be replaced with others parts. These parts are specified under component with italics script.

1.6 Using the nameplate to determine the serial number and production date

To place the spare parts order correctly, in some cases it is necessary to determine the production date of the product before ordering the spare part.



1 Model

- Name and designation of product with specification:
EHV = Electric Heater Ventilation
HV = Heater Ventilation
AC = Air Conditioning

2 Manufacturing Order

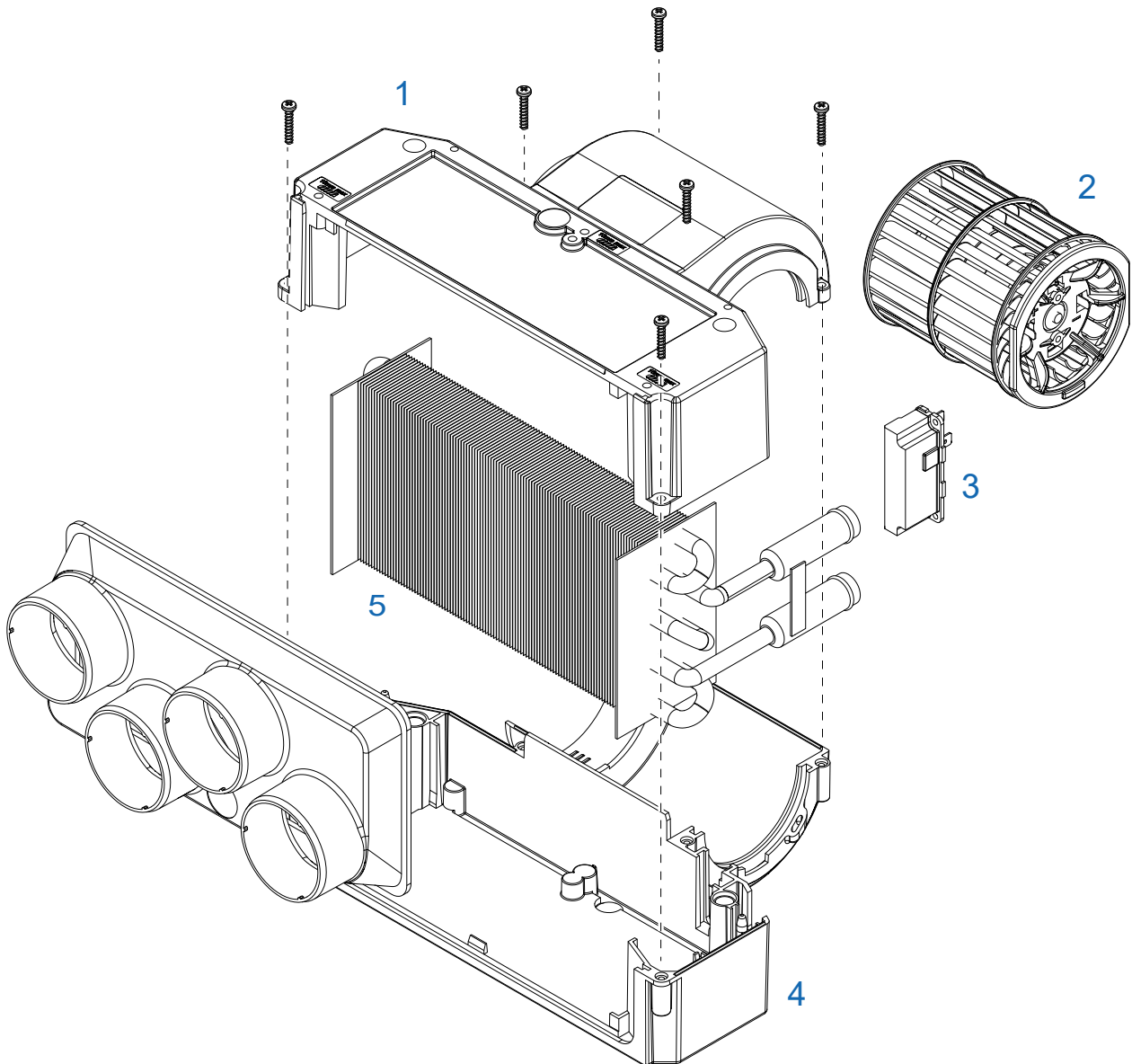
- The first numbering is the manufacturing number code.
- The date is indicated as a week number of a year.

3 Part Number

- 8300xxxxxxx0 is the serial number of the product.

2 COMPACT EV01 HV

2.1 Spare part diagram COMPACT EV01 HV

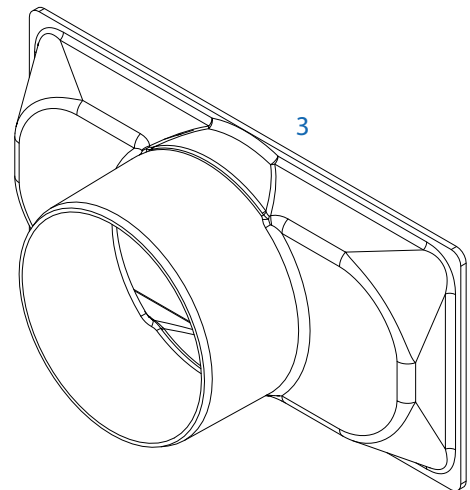
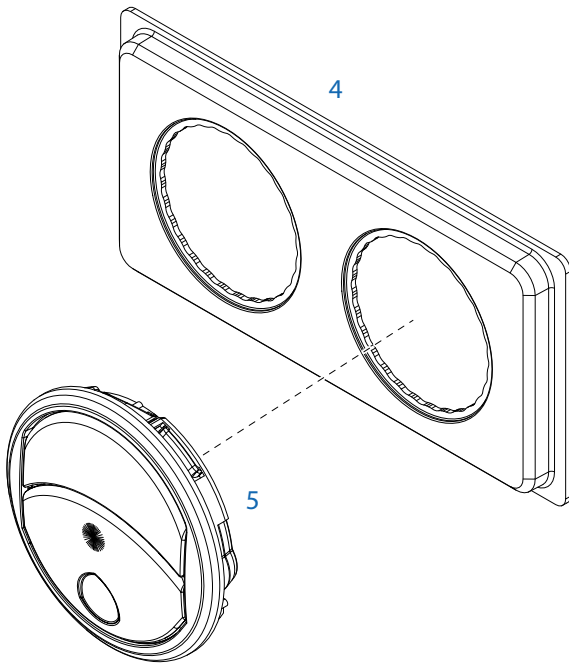
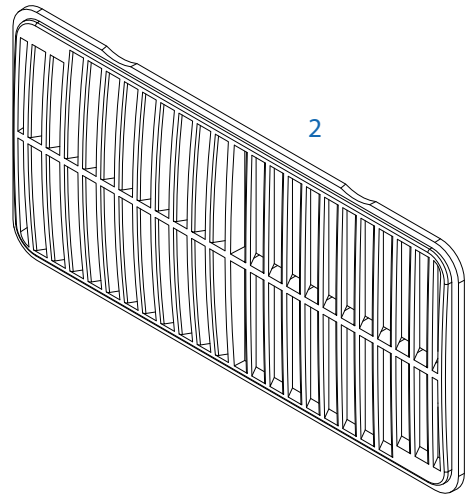
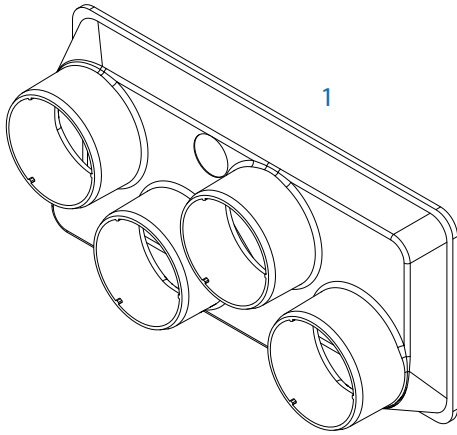


2.2 Spare part list

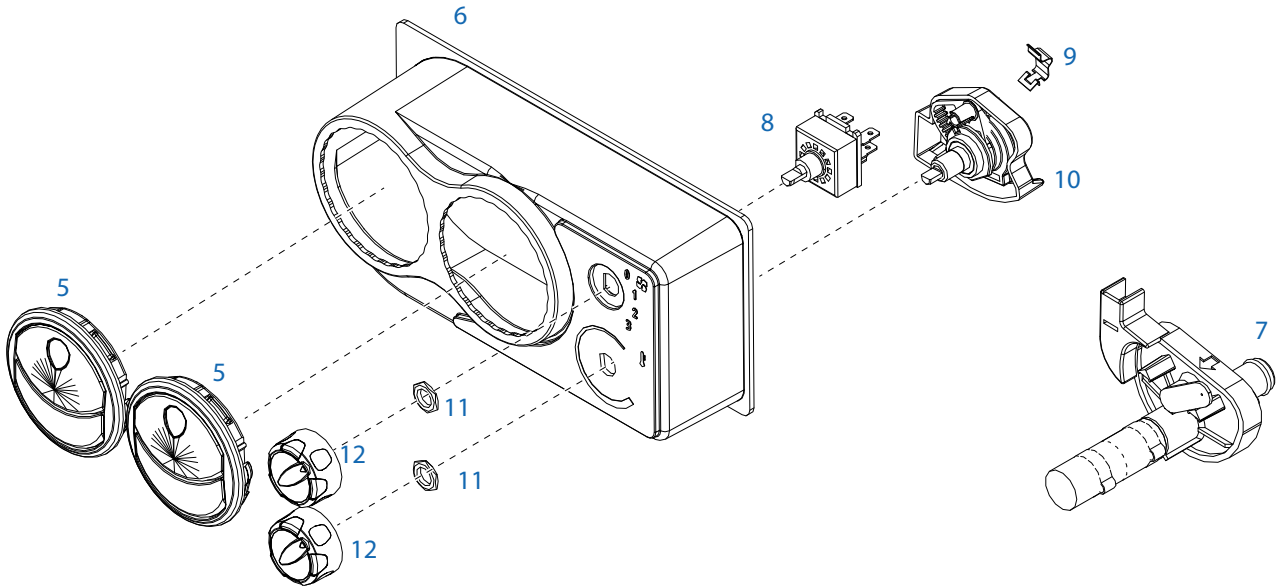
Item No.	Designation	Order No. (VE)	For device												
			8300 12032000	8300 12032001	8300 12032002	8300 12032003	8300 12032013	8300 12032015	8300 12032100	8300 12032101	8300 12032102	8300 12032103	8300 12032113	8300 12032115	
1	Upper casing	8399 34007431	•	•	•	•	•	•	•	•	•	•	•	•	•
2	Blower	8399 34001864	•	•	•	•	•	•							
		8399 34001863							•	•	•	•	•	•	•
3	Blower resistance	8399 34001223	•	•	•	•	•	•							
		8399 34001230							•	•	•	•	•	•	•
4	Lower casing	8399 34007430	•	•	•	•	•	•	•	•	•	•	•	•	•
5	HV Exchanger	8399 34080021	•	•	•	•	•	•	•	•	•	•	•	•	•

3 COMPACT EV01 HV DIFFUSER

3.1 Spare part diagramSpare part diagram



3.2 Spare part diagram FAI



3.3 Spare part list

Item No.	Designation	Order No. (VE)	For device												
			8300 12032000	8300 12032001	8300 12032002	8300 12032003	8300 12032013	8300 12032015	8300 12032100	8300 12032101	8300 12032102	8300 12032103	8300 12032113	8300 12032115	
1	ED4 Diffuser	8399 34007392		•							•				
2	G Diffuser	8399 34007432			•						•				
3	ED1 Diffuser	8399 34007979						•							•
4	KC Diffuser Include item 5	8399 34003412					•								•
5	Black KC Louver	See item 5.1													
5.1	KIT Black KC Louver Include 6x item 5	8399 34011200				•	•					•	•		
6	KIT FAI Diffuser Include item 5,7,8,10,11,12	8399 34007966				•						•			
7	KIT Valve Ø16 Include item 9, Clamps	8399 34006008				•						•			
8	4 Speed switch Include item 11	8399 34030005				•						•			
9	Clips	See item 10.1													
10	Cable control system	See item 10.1													
10.1	KIT Cable control system FAI Include item 9,10,11,cable	8399 34001344				•						•			
11	Flat nut	See item 8,10.1													
12	Button K10	8399 34030575				•						•			

