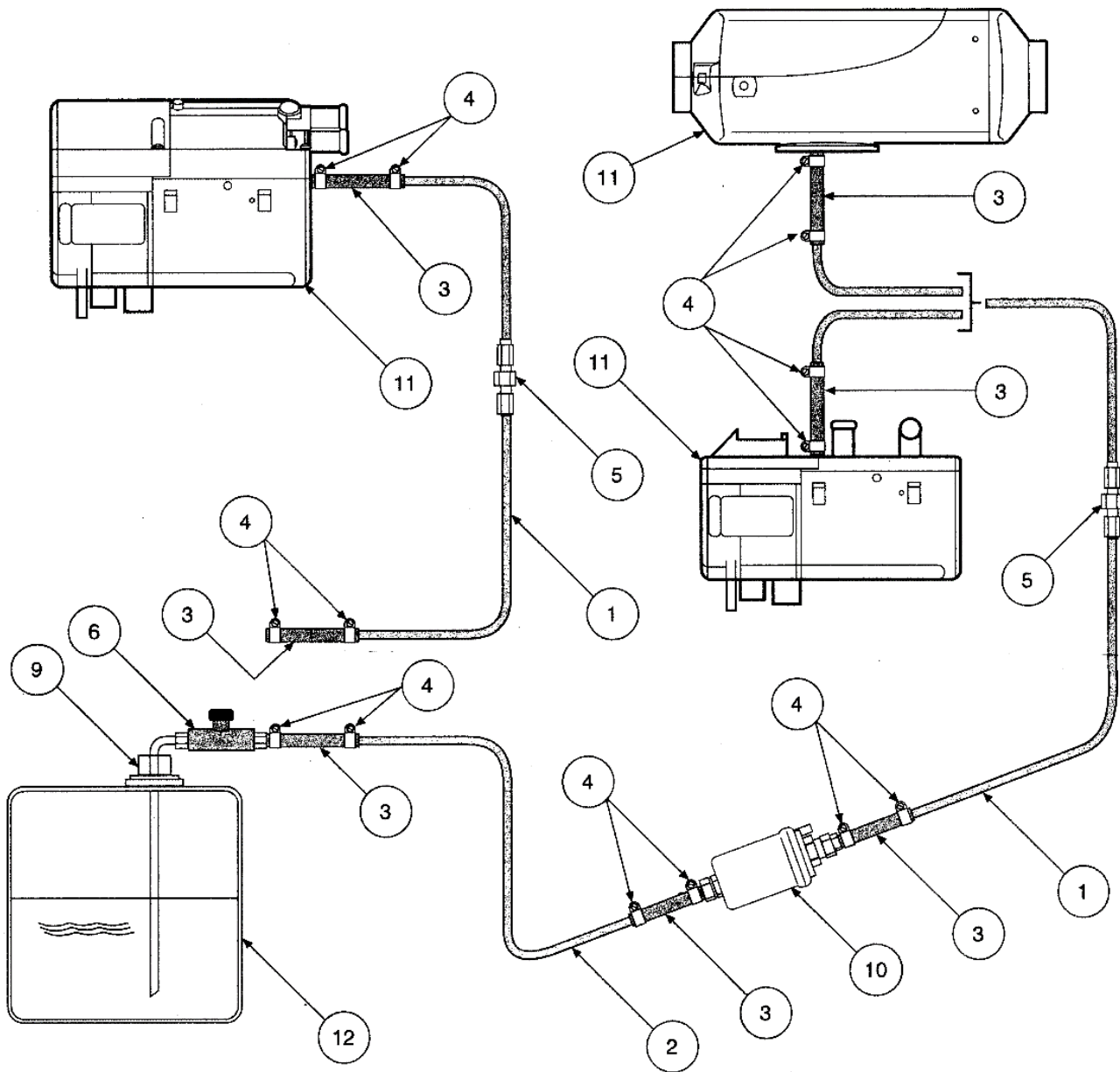


# Instruction to Install Fuel System to RCD 94/25/EC & ISO EN10088 Specification

For Heaters up to 6kW

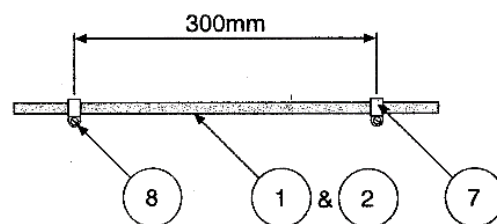


## Parts List

| Item | Description                  |
|------|------------------------------|
| 1.   | 4m M4 Copper Tube Beaded     |
| 2.   | 2m M4 Copper Tube Beaded     |
| 3.   | Hose 3.5mm ISO 7840          |
| 4.   | Clip 10mm                    |
| 5.   | M4 Coupling                  |
| 6.   | Fuel Tap Lever M6/M4 Firtree |
| 7.   | Clip "P" Brass               |
| 8.   | Brass Screw                  |
| 9.   | Standpipe 6mm O/D, 2mm I/D   |
| 10.  | F M Pump                     |
| 11.  | Heater                       |
| 12.  | Fuel Tank                    |

If 4mm fuel line requires shortening the middle section must be removed and joined with M4 coupling (5).

This allows the use of the beaded ends as required to meet the RCD 94/25/EC and ISO EN10088.



Maximum advisable distance between fuel line clips.