

Installation Instructions

Control element

MultiControl | SmartControl | UniBox



English

Table of Contents

1	About This Document	3	6	Technician Mode	11
1.1	Purpose of the document	3	6.1	Description of Functions	11
1.2	Documents supplied	3	6.2	Connection of the diagnostic adapter	11
1.3	Use of this document	3	6.3	Select the Service menu	11
1.4	Use of symbols and highlighting	3			
1.5	Liability waiver	3	7	Fault Remedy	12
			7.1	Error code	12
2	Safety	4			
2.1	Intended use	4	8	Technical Data	14
2.2	Qualification of the installation personnel	4			
2.3	Regulations and statutory provisions	4	9	Annex	15
2.4	Safety instructions	4	9.1	Connections	15
			9.2	Technician Mode	16
			9.3	Schematic Overview of Service Menu	19
3	Device Description	5			
3.1	Delivery scope	5			
3.2	Identification plate	5			
3.3	Description of Functions	5			
3.4	Device versions	5			
3.5	Use	5			
4	Installation of the Control Element	6			
4.1	Recommendations for installation	6			
4.2	Requirements for the installation location	6			
4.3	Install control element	6			
4.4	Optional: Install UniBox	7			
5	Initial Start-up	9			
5.1	Recommendations for initial start-up	9			
5.2	Put the device into operation	9			
5.3	Select heater	9			

1 About This Document

1.1 Purpose of the document

The installation instructions form part of the device and contain information for the correct and safe installation.

1.2 Documents supplied

All documents can be found on the enclosed DVD and can also be downloaded from <http://dealers.webasto.com>.

The following documents are supplied with the device in printed form:

- Quick-start guide

1.3 Use of this document

- ▶ If necessary, print out these installation instructions.
- ▶ Read these installation instructions before installing the device.
- ▶ Read the instruction manual before operating the device.

1.4 Use of symbols and highlighting



WARNING

Type and source of danger

Effect: Failure to follow the instructions can lead to serious or even fatal injuries

- ▶ Action to protect yourself from the danger.



CAUTION!

Type and source of danger

Effect: Failure to follow the instructions can lead to minor injuries

- ▶ Action to protect yourself from the danger.



CAUTION

Type and source of material damage

Effect: Failure to follow the instructions can lead to material damage

- ▶ Action to avoid material damage.



Further information can be found in the following documents:

- ...
- ...



Reference to a special technical feature.

Highlighting	Explanation
✓	Precondition for the subsequent instruction
▶	Instruction

1.5 Liability waiver

Webasto assumes no liability for faults and damage resulting from a failure to follow the installation instructions and instruction manual and the tips contained therein.

This liability waiver applies in particular to:

- Installation by unqualified personnel
- Improper use
- Repairs not carried out by a Webasto service workshop
- Use of non-original parts
- Modification of the device without the approval of Webasto

2 Safety

2.1 Intended use

The control element serves to control the heater.

2.2 Qualification of the installation personnel

The installation personnel must have the following qualifications:

- Successful completion of the Webasto training
- Corresponding qualification for working on technical systems

2.3 Regulations and statutory provisions

- ▶ Observe the important information in the "Quick-start guide" leaflet.

2.4 Safety instructions

Safety instructions for installation

Hazard of electric shock from live components

- ▶ Before installation, disconnect the vehicle from the power supply.
- ▶ Pay attention to proper earthing of the electrical system.
- ▶ Observe the legal provisions.
- ▶ Observe the information on the identification plate.

Danger of cuts from sharp edges

- ▶ Fit chafers to sharp edges.

Safety instructions for operation

Risk of explosion in areas with flammable vapours, flammable dusts and

hazardous goods (e.g. petrol stations, tank installations, fuel stores, coal stores, wood stores or grain stores)

- ▶ Do not switch on or operate the heater.

Risk of poisoning and suffocation caused by exhaust fumes in enclosed areas without exhaust extraction system

- ▶ Do not switch on or operate the heater.

Avoid material damage

Risk of short-circuit resulting from damage to cables due to sharp edges

- ▶ Fit chafers to sharp edges.

3 Device Description

3.1 Delivery scope

- MultiControl / SmartControl
- Double-sided adhesive pad
- Optional: Holder for MultiControl / SmartControl
- Optional: UniBox
- Optional: Holder for UniBox

3.2 Identification plate

The identification plate is located on the rear side of the control element.

3.3 Description of Functions

Control element

The MultiControl and SmartControl control elements are used to control Webasto heaters. The additional installation of the UniBox (optional) may be necessary, depending on the installed heater and the application.

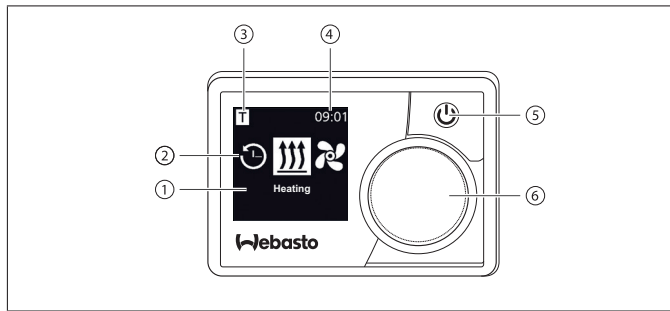


Fig. 01: MultiControl / SmartControl control elements

- 1 Submenu designation
- 2 Submenu symbol
- 3 Activated time setting
- 4 Time
- 5 Quick-start button
- 6 Control knob

UniBox

The UniBox allows heaters not compatible with the W bus to also be operated with the MultiControl and SmartControl control elements. Furthermore, the UniBox provides further inputs and outputs which extend the scope of functions. Communication between UniBox and control element is via the W bus. The UniBox is automatically configured after selecting the heater at the control element. The UniBox is installed in an area of the vehicle not visible to the customer.

3.4 Device versions

The control element is available in two versions:

- SmartControl: Control element with black frame without timer function.
- MultiControl: Control element with silver frame and with timer function.



The heaters and default settings supported depend on the version of the control element used.

3.5 Use

The heaters for which the control element may be used can be found under: <http://dealers.webasto.com>

4 Installation of the Control Element

4.1 Recommendations for installation



CAUTION!

Electric shock if live parts are touched

Minor burns

- ▶ Isolate the vehicle before installation (vehicle initialisation may be lost).



CAUTION!

Risk of fire due to incorrect installation

Risk of burns

- ▶ Observe the additional regulations if installing the heater in vehicles for hazardous goods transport.
- ▶ Observe the information on the identification plate.



CAUTION!

Risk of fire caused by drilling into lines or cables

Risk of burns

- ▶ Lay lines and cables behind the installation surface out of the drilling area.



CAUTION!

Risk of injuries caused by touching sharp edges

Skin abrasions, cuts

- ▶ Use protective gloves during installation.

4.2 Requirements for the installation location

The installation location must satisfy the following requirements:

- ✓ Vehicle interior
- ✓ Easily accessible
- ✓ Clear visibility
- ✓ Clean, dry and grease-free
- ✓ Protected from dampness and moisture
- ✓ Protected from heat, not directly in the hot air current
- ✓ Adequate free space behind the installation location

4.3 Install control element

Installation with adhesive pads

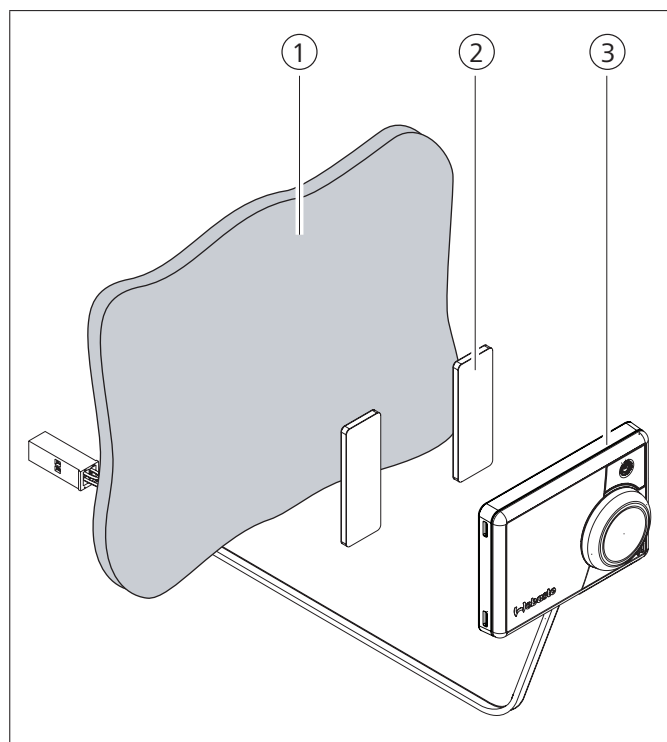


Fig. 02: Install control element with adhesive pads

- 1 Installation location
- 2 Adhesive pads (adhesive on both sides)
- 3 Control element

- ▶ Determine the installation location.



When determining the location, pay attention to the length of the control element cable.

- ▶ Determine the location for the leadthrough of the control element wiring harness.
- ▶ Lay the control element wiring harness through from the front.
- ✓ The rear side of the control element is clean, dry and free from dust or grease.
- ▶ Attach the adhesive pads to the control element.
- ▶ Attach the control element to the selected installation location.

Optional installation with holder

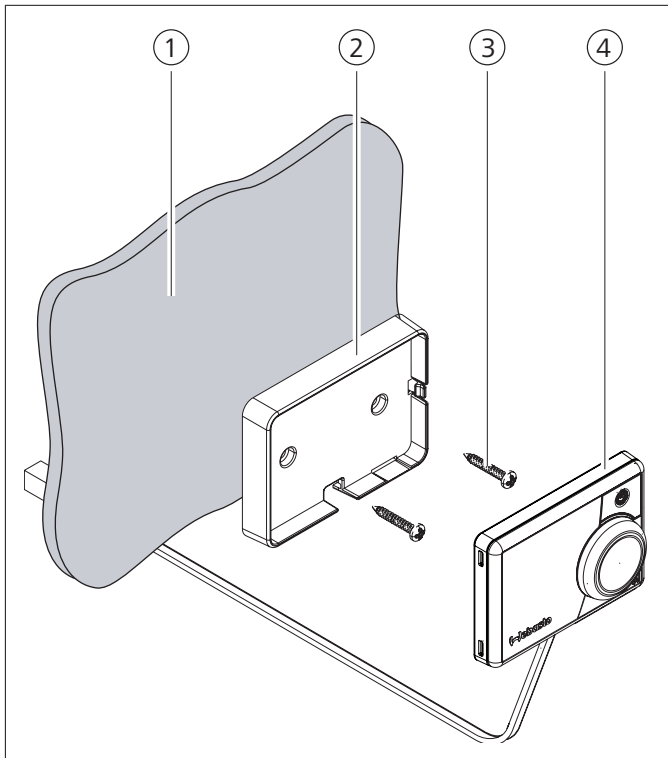


Fig. 03: Install control element with holder

- 1 Installation location
- 2 Holder
- 3 Screws
- 4 Control element

- ▶ Determine the installation location.
- ▶ Determine the location for the leadthrough of the control element wiring harness.
- ▶ Install the holder using the screws supplied.
- ▶ Lay the control element wiring harness through from the front.
- ▶ Clip the control element into the holder.



Observe the statutory regulations when installing in cars.

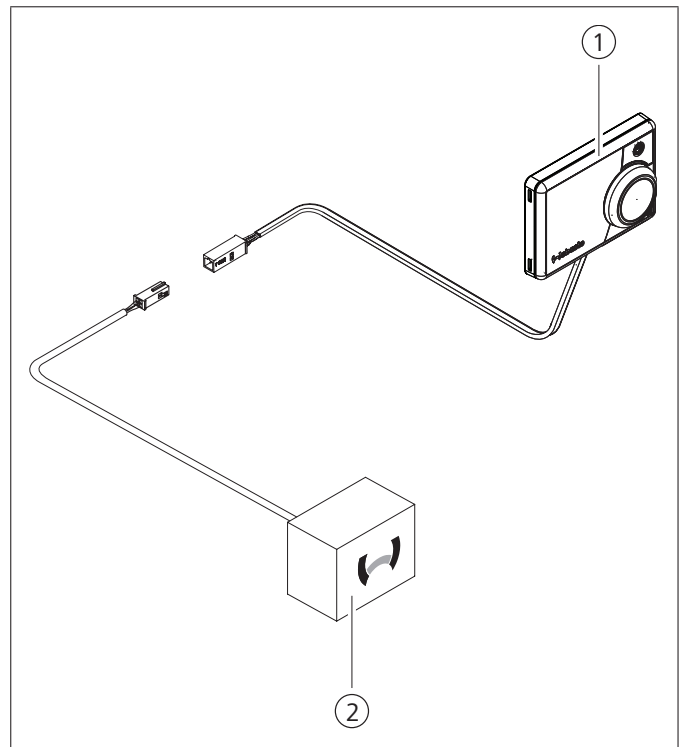


Fig. 04: Connection example control element (1) with heater (2)

4.4 Optional: Install UniBox

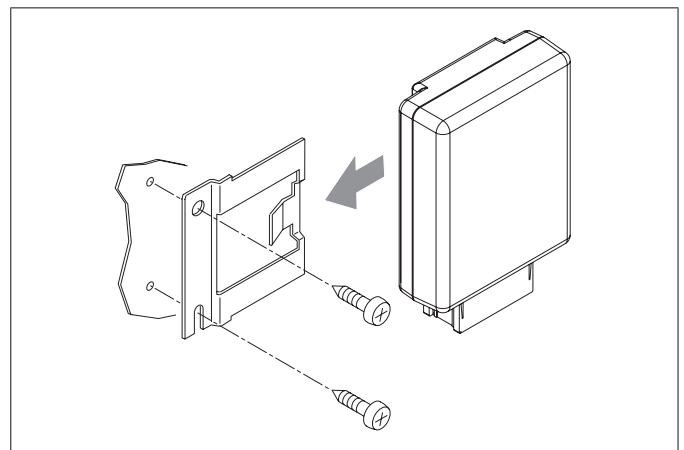


Fig. 05: Optional: Install UniBox with holder

- ▶ Determine the installation location.



Install the device in an area of the vehicle not visible to the customer.

- ▶ Install the holder using the screws supplied.
- ▶ Determine the routing of the wiring harness of the UniBox.
- ▶ Clip the UniBox into the holder.

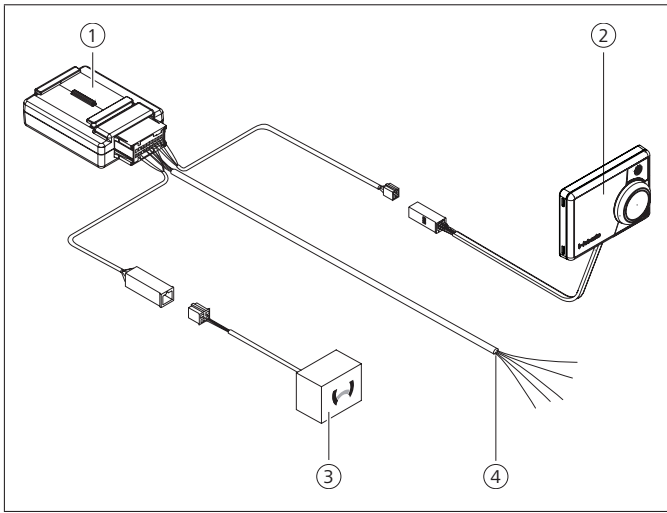


Fig. 06: Connection example – UniBox (1), control element (2), heater (3) and vehicle wiring harness (4)

5 Initial Start-up

5.1 Recommendations for initial start-up



WARNING

Inhalation of toxic gases in enclosed areas

Risk of poisoning and suffocation

- ▶ Never use the heater in enclosed areas such as garages or workshops without exhaust extraction system, even in the case of programmed heating.
- ▶ In workshops with exhaust extraction system, ensure that the exhaust extraction system is functioning.

5.2 Put the device into operation

- ✓ Heater is correctly installed.
- ✓ Control element is correctly installed.
- ▶ Connect the vehicle power supply.

5.3 Select heater

For initial start-up



When the control element is connected for the first time, a message about the missing setting/configuration of the heater is displayed.

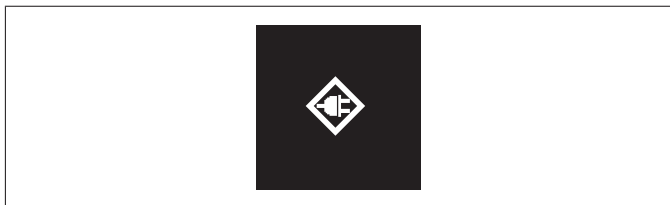


Fig. 07: Symbol "Missing configuration"

- ▶ Press the control knob and the quick-start knob simultaneously for 3 seconds.



Fig. 08: Menu element "Heater"

- ▶ Select the desired heater.
- ▶ Press the control knob.



Fig. 09: Menu element "Day"

- ▶ Select the current day.
- ▶ Press the control knob.



Fig. 10: Menu element "Time"

- ▶ Select the current time.

For manual reset



A reset returns all the settings and timer programmes in the control element to the basic settings or to the default values set by the technician. At a reset, the language setting is reset to English.

- ▶ In the main menu, select the symbol "Settings" .



Fig. 11: Menu element "Settings"

- ▶ Press the control knob.
- ▶ Select menu element "Reset".

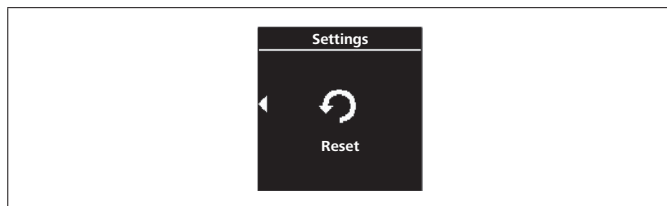


Fig. 12: Menu element "Reset"

- ▶ Press the control knob.

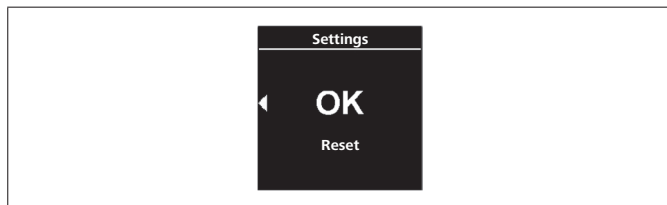


Fig. 13: Menu element "Confirm reset"

- ▶ To confirm the menu selection, press the control knob again.
- ✓ The control element is restarted.
- ▶ During the restart of the control element (the starting mask is displayed for 1.5 seconds), press the control knob and quick-start knob simultaneously for 3 seconds.



Fig. 14: Menu element "Heater"

- ▶ Select the desired heater.
- ▶ Press the control knob.




The correct selection for the corresponding heater can be found in the workshop manual for the heater.

6 Technician Mode

6.1 Description of Functions

This special function is not visible for the customer and is only enabled when the diagnostic adapter is connected. With this function, the preset heaters with their settings can be selected and activated. The limit values for temperature/operating time, etc., can be altered by the technician in the event that they have not been correctly preset for the installed system. Alternatively the settings can also be altered using the WTT (Webasto Thermo Test) diagnostic software.

 Factory settings may only be changed by qualified personnel.

6.2 Connection of the diagnostic adapter

- ▶ Remove the cover of the diagnostic adapter port.

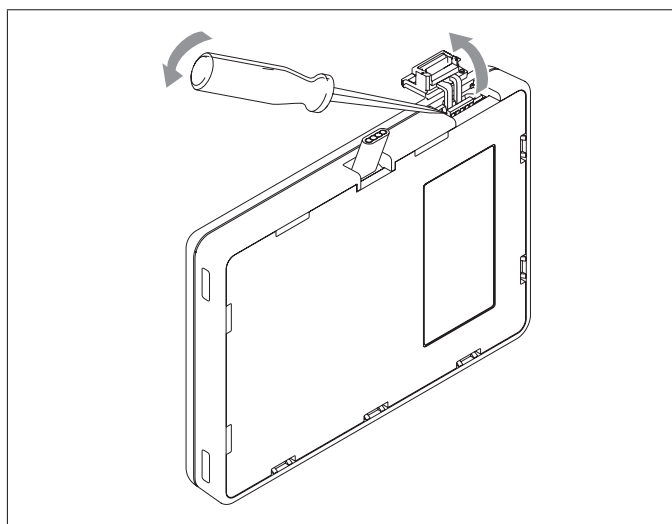



Fig. 15: Removal of the cover

 **CAUTION**
Dust and moisture can damage the diagnostic adapter port
The device can then make incorrect or no diagnoses
▶ Fit the cover of the diagnostic adapter port again after use.

- ▶ Connect the diagnostic adapter to the control element.

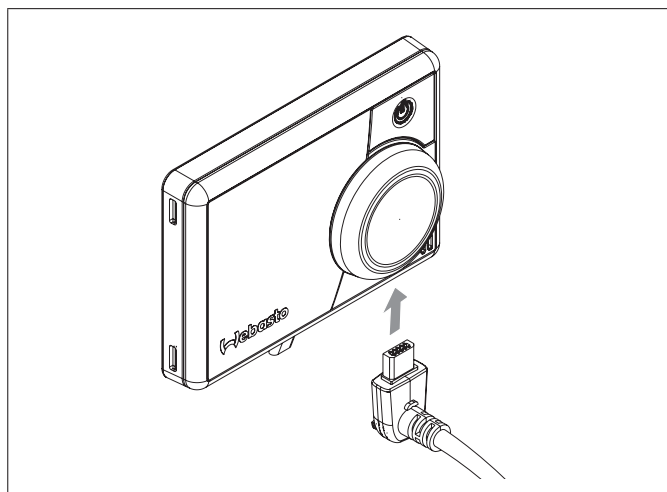



Fig. 16: Connection of the diagnostic adapter


6.3 Select the Service menu

- ▶ In the main menu, select the symbol "Service" .



Fig. 17: Menu element "Service"

 The menu items of the technician menu are an extension of the operator menu and are additionally available. The "Service" symbol replaces the "Settings" symbol as soon as the diagnostic adapter is connected.

 Further information can be found in the Annex: „Technician Mode“.

7 Fault Remedy

7.1 Error code



If a fault occurs in the heater during heating, the heater outputs an error code via the control element.



Further information can be found in the instruction manual of the heater.



A fault is signalled as Txx or as Fxx on the display of the control element together with the red flashing LED. The fault display also appears after waking up the control element from standby mode and must be acknowledged by pressing the control knob or the quick-start knob. This fault is stored in the error codes in the menu (menu element "Error code") of the control element and can be called up. With a "Reset" via the customer menu, all error codes in the control element and the UniBox are deleted.

Internal control element error table "Txx"

Error code	Fault	Fault description	Fault remedy
Te _d	Overvoltage	Supply voltage is above 36 V.	Check vehicle electrical installation.
Te ₃	Display background lighting defective		Contact Technical Support/Customer Service.
Te ₄	Status LED defective		Contact Technical Support/Customer Service.
Te ₅	Temperature sensor fault	Temperature sensor of the MultiControl/SmartControl defective.	Contact Technical Support/Customer Service.
Te ₆	W bus temperature sensor fault	Temperature from the external sensor (W bus) cannot be read correctly.	Check installation. Replace the sensor, if necessary.
T _{5d}	UniBox temperature sensor fault	Temperature from the external sensor connected to the UniBox cannot be read correctly.	Check installation. Replace the sensor, if necessary.
T ₁₂	Communication fault on the W bus		Check installation.
Te _{7/Te₈}	Flash	Reading/writing from/to the internal memory has failed.	Contact Technical Support/Customer Service.
Te _a	Faulty feedback signal from the heater (ST)		Check installation.
Te _c	Jamming control knob	A control knob is pressed for longer than 10 seconds.	Contact Technical Support/Customer Service.
T ₄₆	Overcurrent/short-circuit at switching output SAU1	Current is higher than 500 mA.	Check installation. Ensure that the consumer at switching output SAU1 does not draw a higher current than 500 mA.
T ₄₉	Overcurrent/short-circuit at switching output SAU2	Current is higher than 20mA.	Check installation. Ensure that this switching output is only connected to the corresponding heater.
Te ₀	Reduced voltage	Supply voltage is below the value set by the technician.	Recharge the battery and check the vehicle's electrical installation
T ₈₄	Low voltage	Supply voltage is below 8V.	Recharge the battery and check the vehicle's electrical installation
Te ₁	Ambient temperature too low/high	Ambient temperature is outside the working range of -20°C to +70°C.	The fault disappears automatically when the ambient temperature returns to the working range of -20°C to +70°C.
Te _b	RTC error	The internal clock chip of the MultiControl/SmartControl has lost its setting.	In the event of interruptions in the power supply of more than 8 minutes: Enter the date and time again. If the error occurs without an interruption in the power supply: Contact Technical Support/Customer Service.
Te _e	Defective switching transistor in the MultiControl/SmartControl		Contact Technical Support/Customer Service.
Attention: If this fault occurs, the heater can no longer be switched off. Please remove the fuse immediately and drive to a workshop.			

Fault in connected UniBox with analogue heater

Error code	Fault	Fault description	Fault remedy
Fed	Overvoltage	Supply voltage is above 36 V.	Check vehicle electrical installation.
F5d	Temperature sensor fault	Temperature from the external sensor connected to the UniBox cannot be read correctly.	Check installation. Contact Technical Support/Customer Service.
F12	Communication fault on the W bus		Check installation.
Fe7/Fe8	Flash	Reading/writing from/to the internal memory has failed.	Contact Technical Support/Customer Service.
Fe9	Implausible signal from switching output SAU1	The UniBox receives an implausible signal.	Check installation. Contact Technical Support/Customer Service.
Fea	Faulty feedback signal from the heater (ST)		Check installation.
Fec	Jamming external control knob	The external control knob is pressed for longer than 10 seconds.	Check installation. Contact Technical Support/Customer Service.
F01 to F0F	Heater fault	Please refer to the documentation on the heater.	Contact Technical Support/Customer Service.
T84	Low voltage	Supply voltage is below 8V.	Recharge the battery and check the vehicle's electrical installation

Fault in a connected W bus heater

Error code	Fault	Fault description	Fault remedy
F01 to FFE	Heater fault	Please refer to the documentation on the heater.	Contact Technical Support/Customer Service.

8 Technical Data

Control element	MultiControl / SmartControl	UniBox
Nominal voltage [V]	12 to 24	
Maximum power consumption (during operation without external relay) [mA]	17 to 23	12
Maximum power consumption (in standby) [mA]	0.5	
Admissible ambient temperatures [°C] (operation / storage)	-40 to +75 / -40 to +90	
Dimensions of control element [mm] (length / depth / height)	68 / 15 (9.5 without control knob) / 48	90 (104 with connected wiring harness) / 60 / 25
Weight [g]	41	66

9 Annex

9.1 Connections

Legend – Control element connections

Item	Colours	Name	Remarks
Contact 1	yellow	W bus / low switch / diagnosis	The connection is configured differently, depending on the choice of heater. Please note that heaters with analogue control do not have a W bus available on this lead. A W bus diagnosis is only possible with connected W bus heater or with connected UniBox.
Contact 2	black	Switching output SAU1	max. switching current 500 mA
Contact 3	red	KL30	Plus+
Contact 4	brown	KL31	Earth-

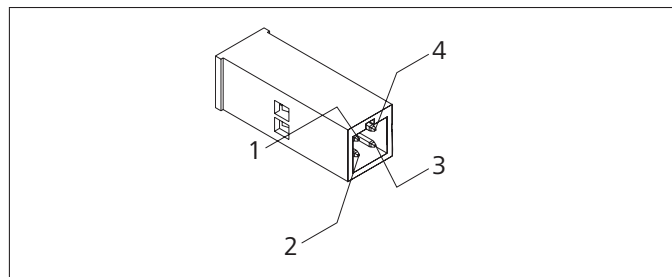


Fig. 18: Control element connections

Legend – UniBox connections

Item	Colours	Name	Remarks
Contact 1	red	KL30	Plus+ (control element)
Contact 2	brown	KL31	Earth- (control element)
Contact 3	yellow	W bus	W Bus (control element)
Contact 4	grey	Switching output SAU1	Switching output heating (operating element)
Contact 5	red	KL30	Plus+
Contact 6	brown	KL31	Earth-
Contact 7	green / white	W bus	W bus
Contact 8	black	Switching output SAU1	Switching output heating (high side) from the UniBox
Contact 9	red / white	Switching output SAU2	Switching output ventilation (low side) from the UniBox max. switching current 20 mA
Contact 10		TS (Plus)	External room temperature sensor
Contact 11		TS (earth)	External room temperature sensor
Contact 12	blue	SWG (Plus)	Setpoint input
Contact 13	white	SWG (earth)	Setpoint input
Contact 14	black / grey	KL15	Ignition
Contact 15	violet	ADR (TRS)	ADR mode Display on control element
Contact 16	green	SEI	Switching input External button for switching ON/OFF
Contact 17	red / black	ST / Status	Error code / status

Item	Colours	Name	Remarks
Contact 18	white / red	Multifunction	Multifunction input (air heater)

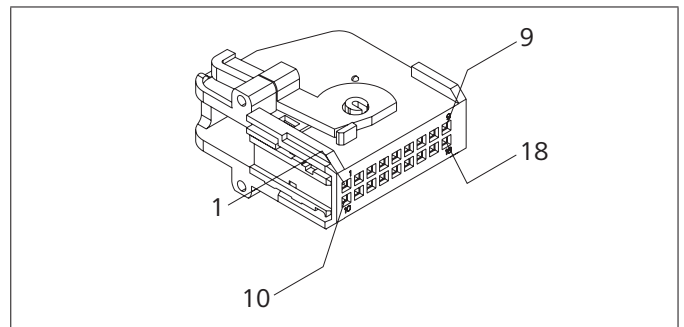


Fig. 19: UniBox connections

9.2 Technician Mode

Service settings

This special function is not visible for the user and is only enabled when the diagnostic adapter is connected. With this function, the preset heaters with their settings can be selected and activated. The limit values for temperature/heating time, etc., can be altered by the technician in the event that they have not been correctly preset for the installed system. Alternatively the settings can also be altered using the WTT without diagnostic cable.



Factory settings may only be changed by qualified personnel.

- ✓ Connect the plug of the diagnostic cable to the control element.
- ✓ Select the "Service" symbol in the main menu.
- ▶ Press the control knob.
- ✓ The "Quick-start" symbol appears on the display.

Select heater

This menu item allows a different heater to be selected. When a different heater is selected, other settings from this menu are also reset to the specific values for the heater. The error memory is also deleted.

- ✓ Select the "Service" symbol in the main menu.
- ✓ The "Quick-start" symbol appears on the display.
- ▶ Turn the control knob to select the desired symbol "Heater".
- ✓ The name of the heater appears on the display.
- ▶ Turn the control knob to select the heater.
- ▶ Press the control knob to confirm the selection.

Min duration

Default setting of the minimum operating time that the customer can select during configuration of the quick-start button or from the menu during heating/ventilation. The value for "Min duration" can be set between 10 minutes and the "Max duration".

- ✓ Select the "Service" symbol in the main menu.
- ✓ The "Quick-start" symbol appears on the display.
- ▶ Turn the control knob to select the desired symbol "Min duration".
- ▶ Press the control knob to confirm the selection.
- ✓ The "Min duration" appears on the display and the "hour" digit flashes.
- ▶ Turn the control knob to select the desired "hours" for the "Min duration".
- ▶ Press the control knob to confirm the selection.
- ✓ The "Min duration" appears on the display and the "minute" digit flashes.
- ▶ Turn the control knob to select the desired "minutes" for the "Min duration".
- ▶ Press the control knob to confirm the selection.

Max duration

Default setting of the maximum operating time that the customer can select during configuration of the quick-start button or from the menu during heating/ventilation. The value for "Max duration" can be set between the value for "Min duration" and the maximum time permissible for the selected heater.

- ✓ Select the "Service" symbol in the main menu.
- ✓ The "Quick-start" symbol appears on the display.
- ▶ Turn the control knob to select the desired symbol "Max duration".
- ▶ Press the control knob to confirm the selection.
- ✓ The "Max duration" appears on the display and the "hour" digit flashes.
- ▶ Turn the control knob to select the desired "hours" for the "Max duration".
- ▶ Press the control knob to confirm the selection.
- ✓ The "Max duration" appears on the display and the "minute" digit flashes.
- ▶ Turn the control knob to select the desired "minutes" for the "Max duration".
- ▶ Press the control knob to confirm the selection.

Permanent mode

This allows continuous operation of the heater to be enabled or barred for the user. Permanent mode is only possible with heaters which support this mode. If this option is selected for heaters which do not support permanent mode, the heater dictates the operating time when the user starts the heating/ventilation function in permanent mode.

- ✓ Select the "Service" symbol in the main menu.
- ✓ The "Quick-start" symbol appears on the display.
- ▶ Turn the control knob to select the desired symbol "Permanent mode".
- ▶ Press the control knob to switch between "On" and "Off".




This setting is saved without confirmation.

Ventilation

This option allows the menu item "Ventilation" to be removed from the customer menu. This option has no influence on heaters that do not support "Ventilation".

- ✓ Select the "Service" symbol in the main menu.
- ✓ The "Quick-start" symbol appears on the display.
- ▶ Turn the control knob to select the desired symbol "Ventilation".
- ▶ Press the control knob to switch between "On" and "Off".

 This setting is saved without confirmation.

Temperature range

This option allows the temperature range for air heaters to be limited that the user can during configuration of the quick-start button or from the menu during heating. The minimum temperature can be selected between 5°C and 20°C and the maximum temperature between 20°C and 35°C. This setting has no influence on water heaters.

- ✓ Select the "Service" symbol in the main menu.
- ✓ The "Quick-start" symbol appears on the display.
- ▶ Turn the control knob to select the desired symbol "Temperature range".
- ✓ If the temperature setting function is not supported by the heater, "N/A" appears on the display and no settings can be made here.
- ▶ Press the control knob to confirm the selection.
- ✓ The minimum temperature appears on the display.
- ▶ Turn the control knob to select the desired minimum temperature.
- ▶ Press the control knob to confirm the selection.
- ✓ The maximum temperature appears on the display.
- ▶ Turn the control knob to select the desired maximum temperature.
- ▶ Press the control knob to confirm the selection.


Show temperature

This option allows the temperature display in the status line to be configured. If this option is deactivated, no actual temperature is displayed in the status line. The displayed temperature is always the actual temperature signalled by a connected sensor or the internal sensor of the MultiControl/SmartControl. After a factory reset or when a new heater is selected, all possible sensors are scanned and the first available sensor for the temperature measurement is selected. The scanning sequence is:

- External sensor on the W bus
- Sensor in the heater
- External sensor connected to the UniBox
- Internal sensor of the MultiControl/SmartControl

- ✓ The temperature can be displayed and hidden in the main menu.
- ✓ Select the "Service" symbol in the main menu.


- ✓ The "Quick-start" symbol appears on the display.
- ▶ Turn the control knob to select the desired symbol "Display temperature".
- ▶ Press the control knob to switch between "On" and "Off".

 This setting is saved without confirmation.

UniBox

After a factory reset or when a new heater is selected, a scan for detection of a possibly UniBox is always performed automatically. If the UniBox is retrofitted, the support can be forced by activating this option and hence the additional functions, e.g. ignition detection, ADR, additional external button (analogue quick-start button) can be used.

- ✓ Select the "Service" symbol in the main menu.
- ✓ The "Quick-start" symbol appears on the display.
- ▶ Turn the control knob to select the desired symbol "UniBox".
- ▶ Press the control knob to switch between "On" and "Off".

 This setting is saved without confirmation.

Undervoltage shutdown

When the option is activated, the supply voltage is constantly monitored during heating/ventilation and if the voltage drops below the configured value for more than 5 seconds, the heater is switched off. The heater can only be switched on again when the voltage is stable and above the configured value. Undervoltage is signalled in the status line with a battery symbol.

- ✓ Select the "Service" symbol in the main menu.
- ✓ The "Quick-start" symbol appears on the display.
- ▶ Turn the control knob to select the desired symbol "Low voltage".
- ✓ If the undervoltage shutdown is active, the preset value is shown on the display. If it is deactivated, "Off" is displayed.
- ▶ Press the control knob to confirm the selection.
- ▶ Turn the control knob to set the value or to deactivate the function (Off).
- ▶ Press the control knob to confirm the selection.

Max active timers

As standard, only one timer can be activated. This option allows the number of timers that can be activated simultaneously to be increased to 21.

Please observe the statutory regulations, in particular that only one active timer is permitted for cars.

- ✓ Select the "Service" symbol in the main menu.
- ✓ The "Quick-start" symbol appears on the display.
- ▶ Turn the control knob to select the desired symbol "Max active timers".
- ✓ The default value (number of timers) is displayed.
- ▶ Press the control knob to confirm the selection.
- ▶ Turn the control knob to set the value.
- ▶ Press the control knob to confirm the selection.

Basic configuration

During a reset, all settings are return to the basic configuration with the exception of the day of the week and the time. After the reset, the procedure is the same as after installation and for the initial start-up.

- ✓ The "Quick-start" symbol appears on the display.
- ▶ Turn the control knob to select the desired symbol "Factory settings".
- ▶ Press the control knob to confirm the selection.
- ✓ "OK" appears on the display.
- ✓ Press the control knob to confirm the selection.
- ✓ A restart is performed.

9.3 Schematic Overview of Service Menu

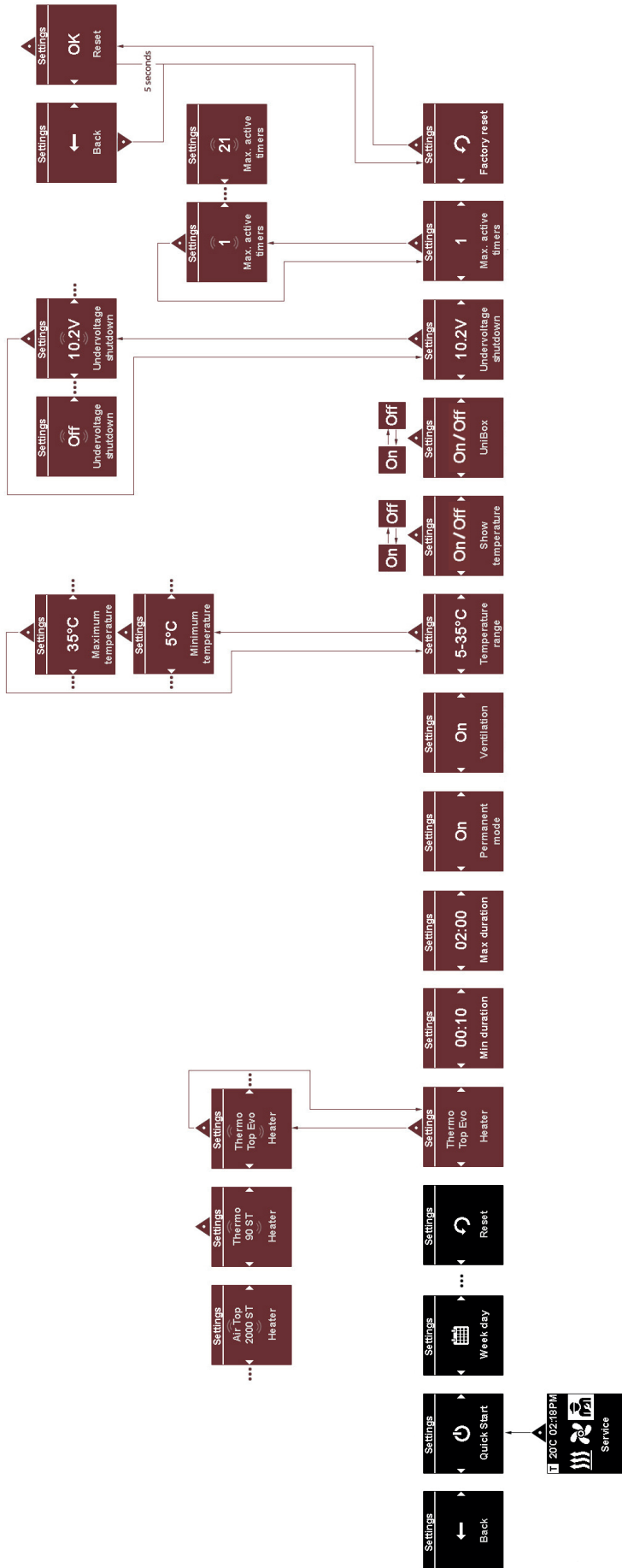


Fig. 20: Schematic overview of service menu

In multilingual versions the German language is binding.

Webasto Thermo & Comfort SE
Postfach 1410
82199 Gilching
Germany

Visiting Address:
Friedrichshafener Str. 9
82205 Gilching
Germany

Technical Extranet: <http://dealers.webasto.com>

The telephone number of each country can be found in the
Webasto service center leaflet or the website of the respective
Webasto representative of your country.



www.webasto.com