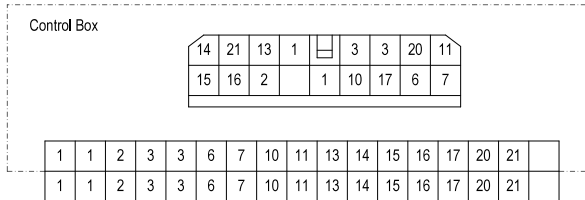
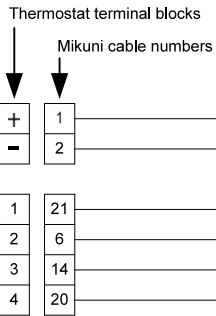
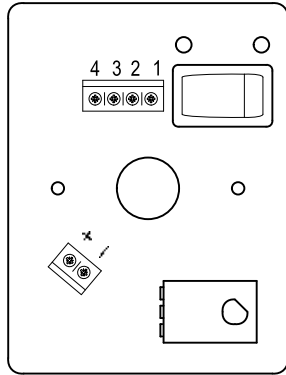


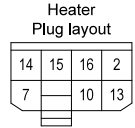
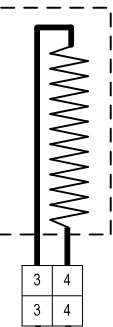
Thermostat wiring		
Cable Colour	Function	
+	Red	+12/24 Volts
-	Black	Negative
1	Green	Cold Air
2	Red/Yellow	Switch return Heat
3	Blue/Yellow	Hi Lo Heat
4	White	Hi Lo Heat

Electronic Thermostat



Glow Resistor
24V Models
Only

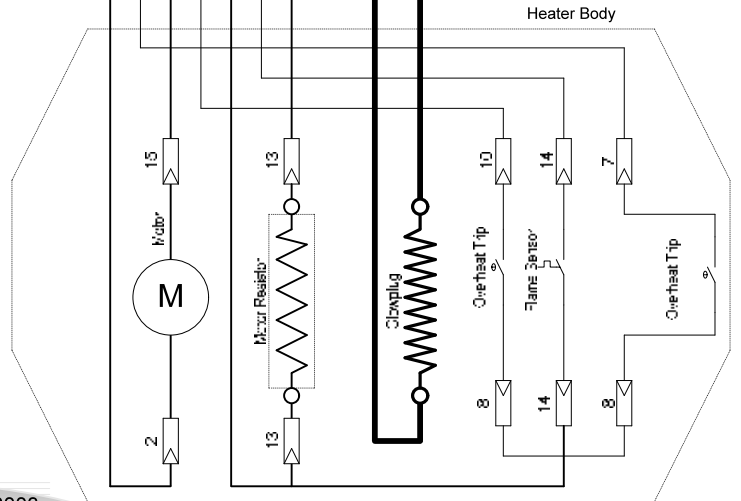
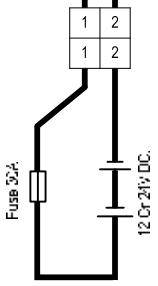
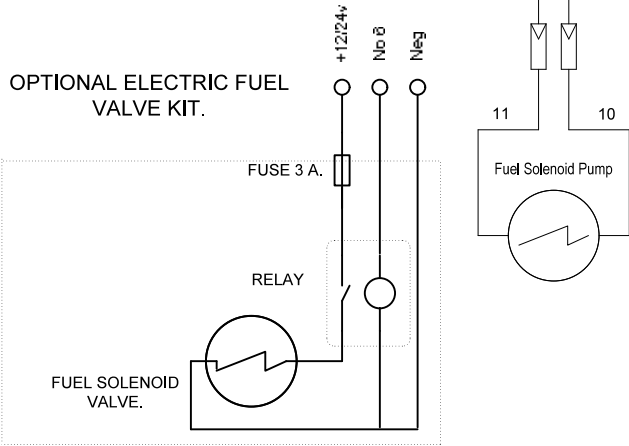
Fuse 25A



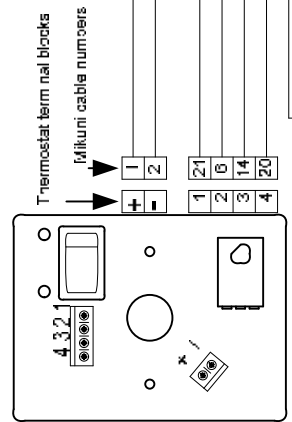
- Notes:
1. The glow resistor is fitted on 24V heaters only. This is a 'dropper' resistor to reduce the voltage on the glow plug to 12V.
 2. *Fuse: This is a 20mm glass fuse to protect the air motor. 12V = 10A, 24V = 8A
 3. Overheat Trips: Reset buttons to protect the heater if the ducting gets blocked etc

Cable Ref	Cable Colour
1	Red
2	Black
3	White
6	Red/Yellow
7	Green
10	Yellow/Red
11	Black/White
13	Brown
14	Blue/Yellow
15	Red
20	White
21	Green

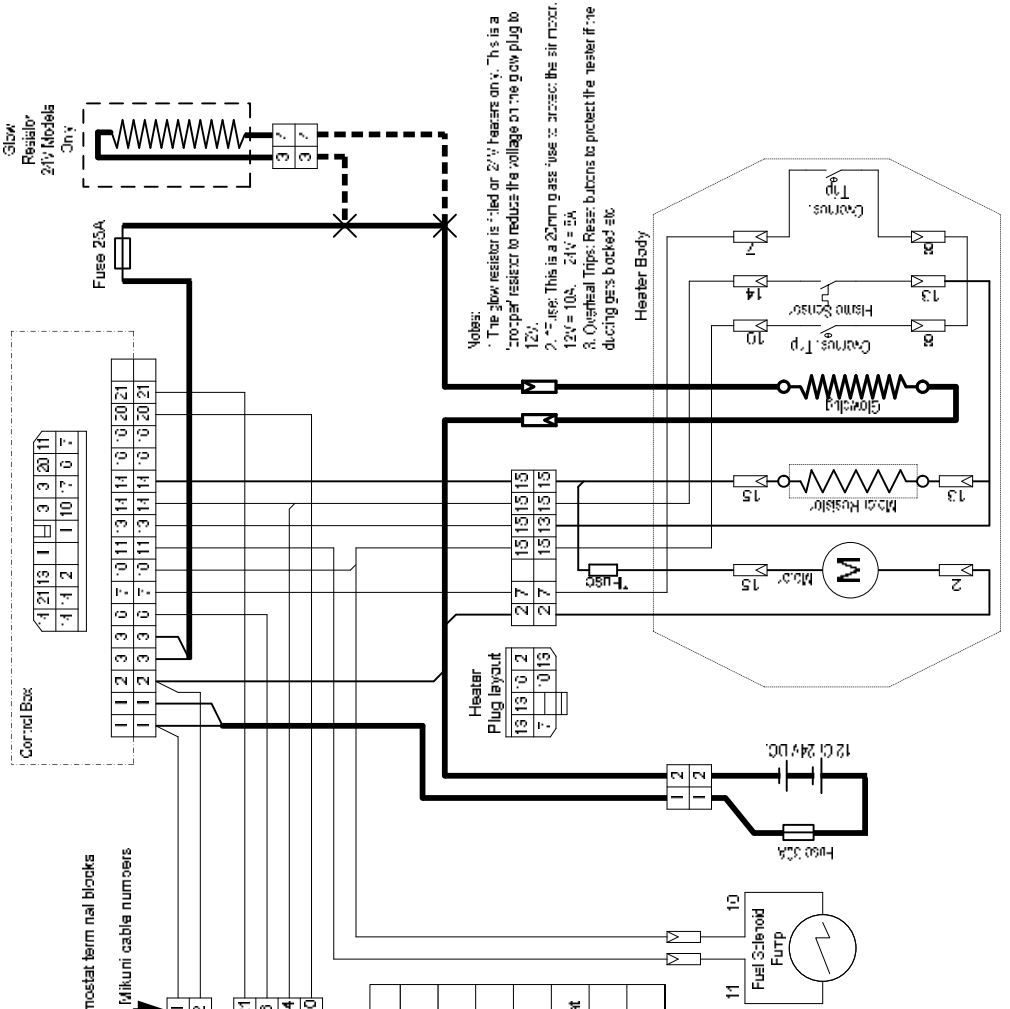
OPTIONAL ELECTRIC FUEL VALVE KIT.



Electrical Thermostat:



Thermostat wiring	
Cable Colour	Function
+	Red +12/24 Volts
-	Black Negative
1	Green Cold Air
2	Red/Yellow Switch return Heat
3	Blue/Yellow High Heat
4	White High Heat



This document was created with Win2PDF available at <http://www.daneprairie.com>.
The unregistered version of Win2PDF is for evaluation or non-commercial use only.