

---

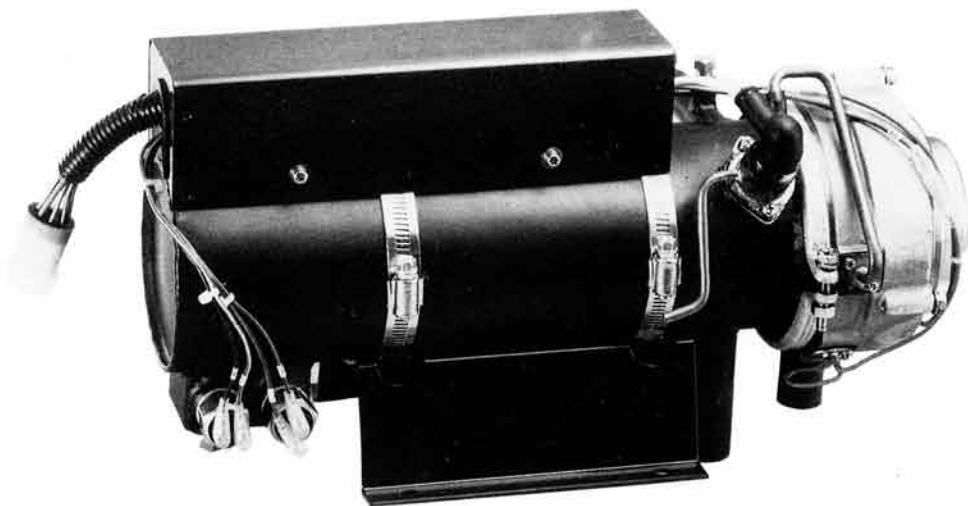
**MIKUNI PREHEATER**

---

**Model MX60**

**PARTS LIST**

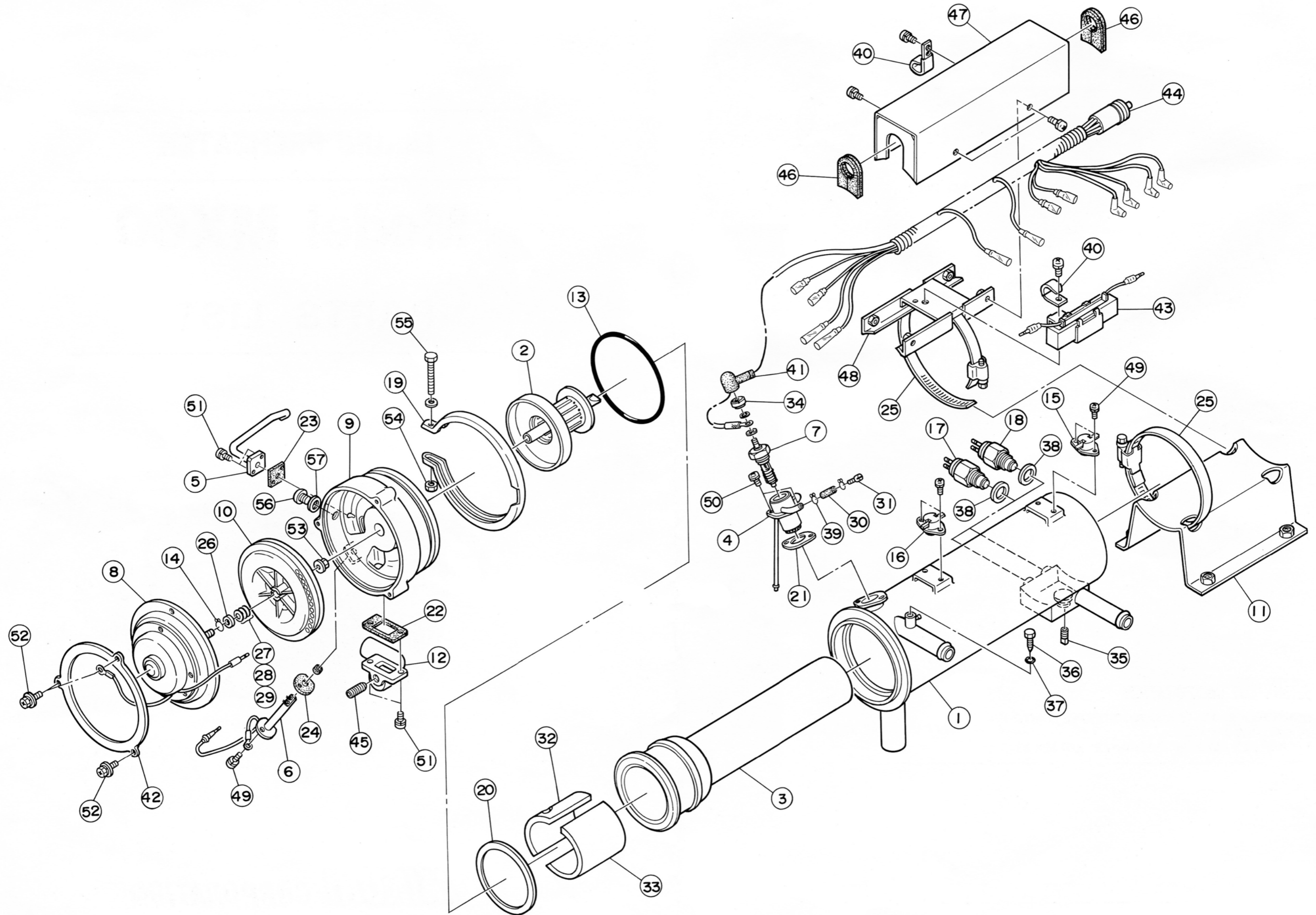
---



***MIKUNI* CORPORATION**

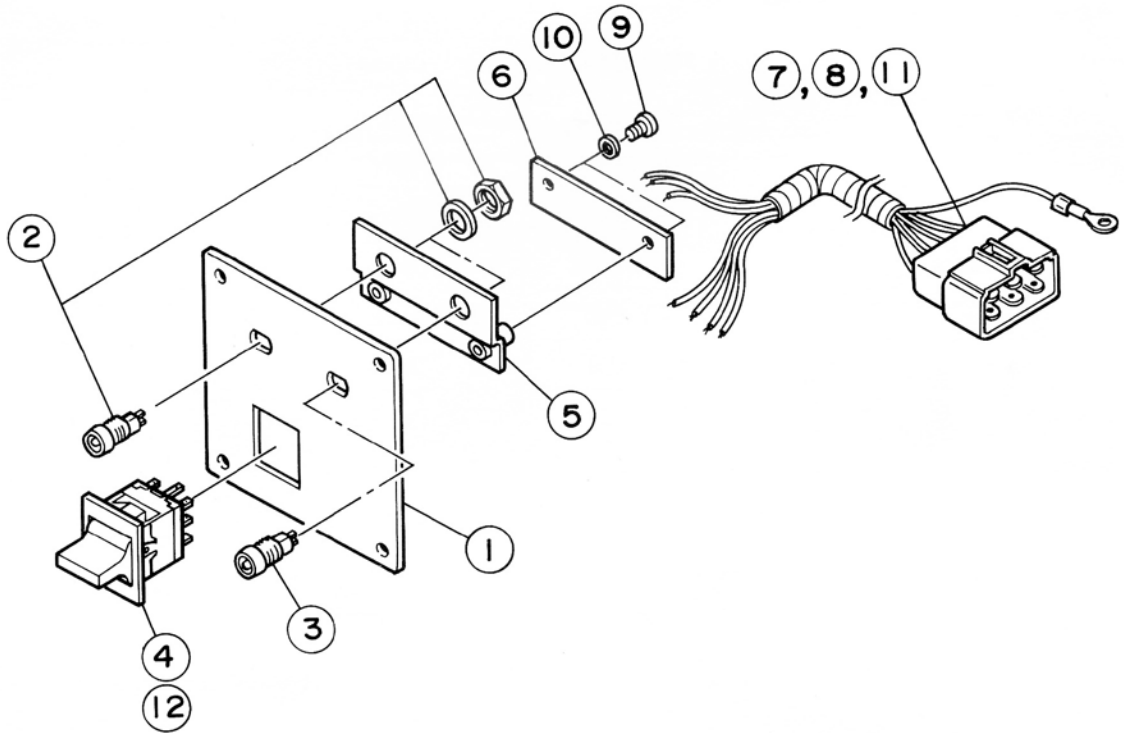
PAL-0007

# PREHEATER



Ref. No.	Description	Part Number	Ref. No.	Description	Part Number
<b>PREHEATER (24V TYPE)</b>			38	Packing	003 023
1	Heat exchanger ass'y	533 555	39	Spring clip	007 124
2	Pipe ass'y	533 576B	40	Clamp	007 035
3	Burner tube	533 581A	41	Cap	015 055
4	Glow plug boss ass'y	533 588A	42	Plate	533 399
5	Fuel pipe ass'y	533 593	43	Resistor ass'y	060 152
6	Flame sensor ass'y	059 143A	44	Cable ass'y A	063 704A
7	Glow plug ass'y	061 088	45	Screw	001 115A
8	Motor ass'y	054 354	46	Grommet	018 083
9	Housing	054 554	47	Cover ass'y	533 621
10	Blower	035 001	48	Bracket ass'y	533 617
11	Support	533 575A	49	Screw	CW2 = 0306
12	Air inlet	533 596A	50	Screw	CW2 = 0408
13	O-ring	010 068	51	Screw	CW2 = 0510
14	Spring clip	021 021	52	Bolt	BW3 = 0516
15	Thermostat 110°C	059 141	53	U nut	002 115
16	Thermostat 93°C	059 142	54	Nut	N1-06
17	Thermostat 82°C	042 143	55	Bolt	BW3 = 0635
18	Thermostat 78°C	042 008	56	Screw	001 130
19	Band	007 287	57	Packing	011 103
20	Seat	011 098			
21	Packing	011 099			
22	Packing	011 100			
23	Packing	011 101			
24	Packing	011 102			
25	Clamp	007 016	<b>PREHEATER (12V TYPE)</b>		
26	Washer	003 081	Different parts from 24V TYPE are shown in below.		
27	Shim	003 083	8	Motor ass'y	054 357
28	Shim	003 084	43	Resistor ass'y	060 156
29	Shim	003 085			
30	Hose	016 184			
31	Jet	N102 221-210			
32	Wick A	533 401			
33	Wick B	533 402			
34	Plug nut	002 112			
35	Water drain plug	SP-1/8			
36	Air release valve	001 041			
37	O-ring	010 014			

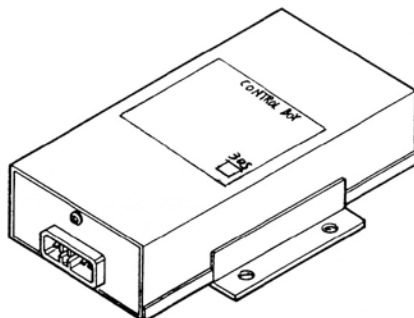
# SWITCH PANEL



## SWITCH PANEL ASSY 056 441 (12V TYPE: 056 449)

Ref. No.	Description	Part Number	Ref. No.	Description	Part Number
1	Plate	056 442	7	Connector	064 011
2	Lamp (LED)	066 059	8	Terminal	064 006
3	Lamp (LED)	066 060	9	Screw	CW2 = 0308
4	Switch	067 080	10	Washer	W1-00
5	Base ass'y	056 443	11	Terminal	AT1-24
6	Panel ass'y	056 445(24V) 056 450(12V)	12	Lamp	066 056(24V) 066 067(12V)

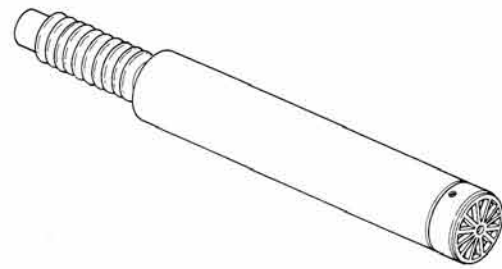
## CONTROL BOX 057 328 (12V TYPE: 057 325)



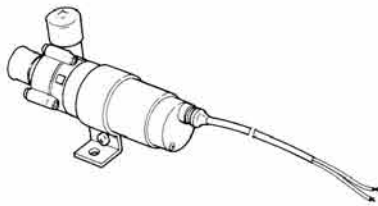
Fuel Filter 040 048



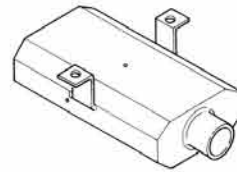
Silencer 533 581



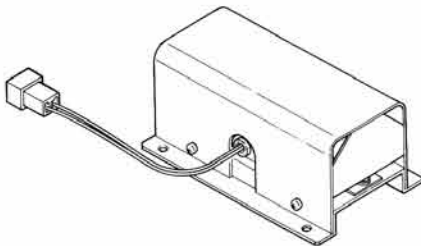
Water Pump WP-34



Muffler 533 598



Glow Resistor 060 164  
(For 24V only)



## **MIKUNI CORPORATION**

UENO FUJI BLDG. 16-5, UENO 3-CHOME, TAITO-KU  
TOKYO, 110 JAPAN.  
PHONE: (03) 833-2738 FACSIMILE: (03) 834-3977

