



EN / HEATER AND AC SYSTEM / TECHNICAL DOCUMENTATION

## SPARE PARTS LIST

### SILENCIO 2 HV

This spare parts list is valid for the following products:

**Model**

SILENCIO 2 HV G 12V Ø16 BL BLACK  
SILENCIO 2 HV G 12V Ø22 BL BLACK  
SILENCIO 2 HV G 24V Ø16 BL BLACK  
SILENCIO 2 HV G 24V Ø22 BL BLACK

**Part number**

8300 12014030  
8300 12014038  
8300 12014130  
8300 12014138

## 1 INFORMATION

1.1	General information	3
1.2	Reference documents	3
1.3	Determining the quantity required for the order	3
1.4	Unavailable component	3
1.5	Specifications	3
1.6	Using the nameplate to determine the serial number and production date	3

## 2 SILENCIO 2 HV

2.1	Spare part diagram	4
2.2	Spare part list	4

## 1 Information

### 1.1 General information

This document is to be used when ordering spare parts for the units listed on the title page, to the exclusion of all liability claims. Depending on the version or revision status of the unit, differences may occur compared to this documentation. Please check this before ordering the spare parts and take any possible differences into account

### 1.2 Reference documents

#### Instruction manual

Describes the function and proper installation and contains all information necessary for safe operation of the unit.

#### Repair instructions

Contains the necessary information for troubleshooting and for repair of the unit.

### 1.3 Determining the quantity required for the order

The information in the "quantity per unit" and "quantity per SU" (sales unit) columns is used to determine the quantity of a spare part required and the SU (sales units) to be ordered.

#### Quantity per unit

The number in this column indicates how many of the spare part concerned are installed in the whole unit

### 1.4 Unavailable component

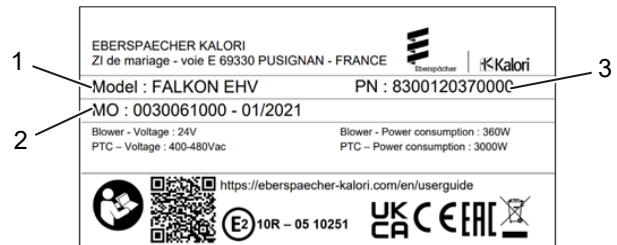
The component not listed cannot be ordered. These components can be not specifics components or component with a specific assembly or with an important risk.

### 1.5 Specifications

Some components must be replaced with others parts. These parts are specified under component with italics script.

### 1.6 Using the nameplate to determine the serial number and production date

To place the spare parts order correctly, in some cases it is necessary to determine the production date of the product before ordering the spare part.



#### 1 Model

- Name and designation of product with specification:  
EHV = Electric Heater Ventilation  
HV = Heater Ventilation  
AC = Air Conditioning

#### 2 Manufacturing Order

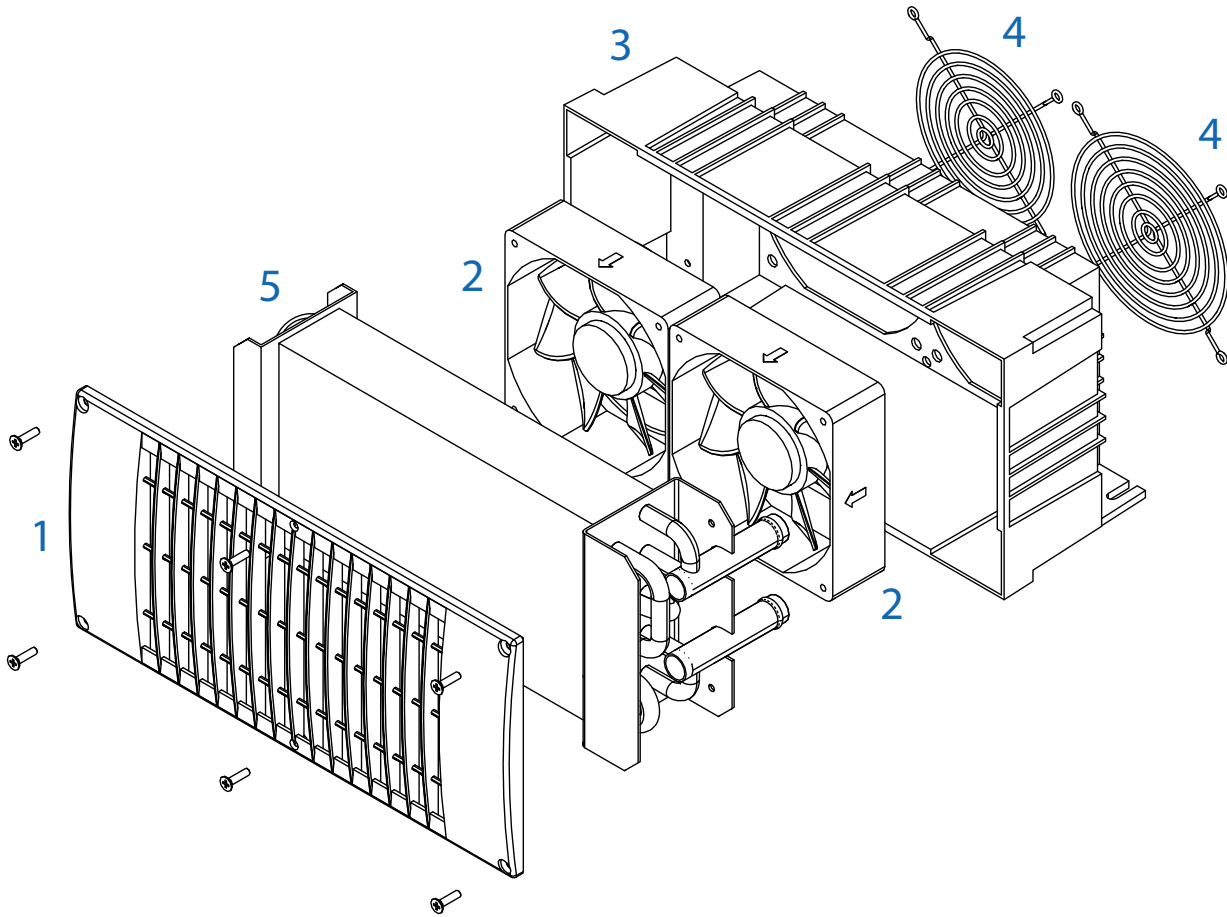
- The first numbering is the manufacturing number code.
- The date is indicated as a week number of a year.

#### 3 Part Number

- 8300xxxxxxx0 is the serial number of the product.

## 2 SILENCIO 2 HV

### 2.1 Spare part diagram



### 2.2 Spare part list

Item No.	Designation	Order No. (VE)	For device			
			8300 12014030	8300 12014038	8300 12014130	8300 12014138
1	Black grid	8399 34007129	•	•	•	•
2	Axial Fan VA 200 2S Brushless	8399 12160020	•	•		
		8399 12160123			•	•
3	Black casing	8399 34007128	•	•	•	•
4	Fan protection grid	8399 34022021	•	•	•	•
5	Radiator SILENCIO 2	8399 34080013	•		•	
		8399 34080035		•		•

