

## Frost Thermostat Application

Frost Thermostats can be installed to protect either the whole central heating system, or the boiler and localised pipework.

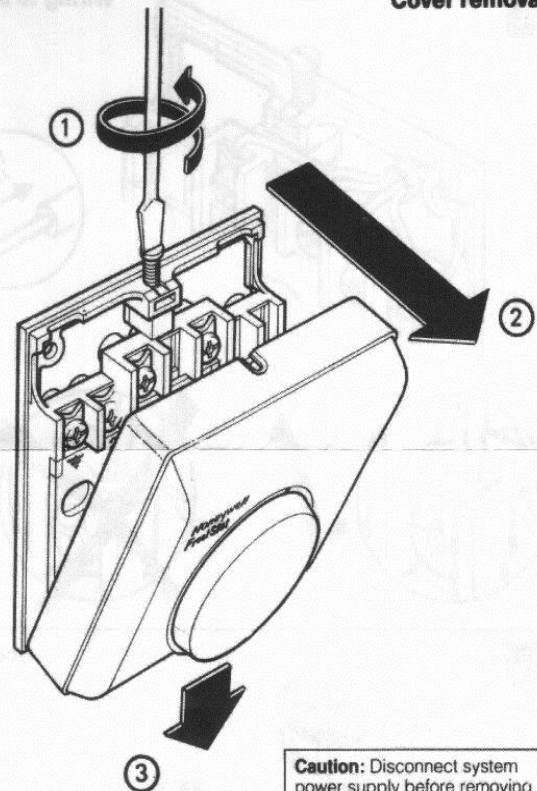
If the Frost Thermostat is installed to protect the central heating system it must be sited within the dwelling in a place where a rise and fall in ambient air temperature can be detected i.e. in a room with a radiator. The wiring for this is shown in wiring diagram 1, overleaf.

If the Frost Thermostat is installed in a boiler room, garage or attic (NOT mounted outside the building where it would be directly exposed to the weather), it is strongly recommended that a pipe thermostat be wired in series to ensure that overheating of the property does not occur. The pipe thermostat should be sited on the boiler return pipe, wired as shown in wiring diagram 2, overleaf and set to 25°C (depending on system and location).

The Frost Thermostat must be wired to override all other time and temperature control and preferably to switch on the heating circuit, rather than the hot water circuit.

When a Frost Thermostat is installed on a central heating system, the Fused Spur should only be switched off for servicing or maintenance. If the system is to be switched off for any other reason e.g. holiday, then switching MUST only be carried out at the programmer or Time Clock.

### Cover removal

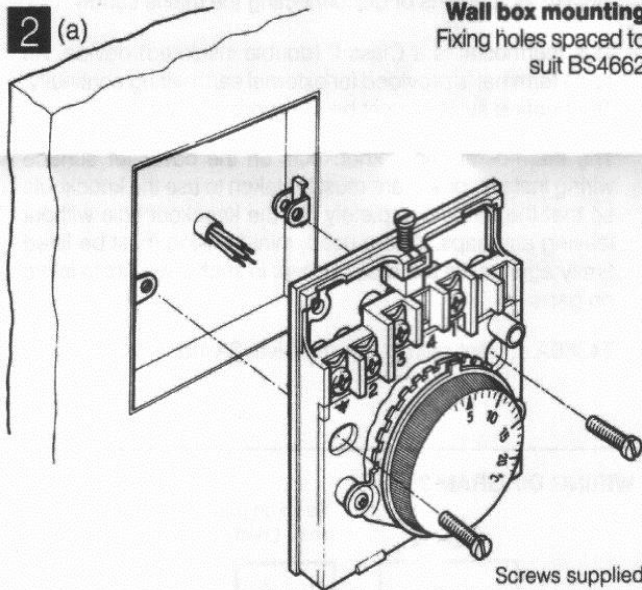


**Caution:** Disconnect system power supply before removing cover.

2 (a)

### Wall box mounting

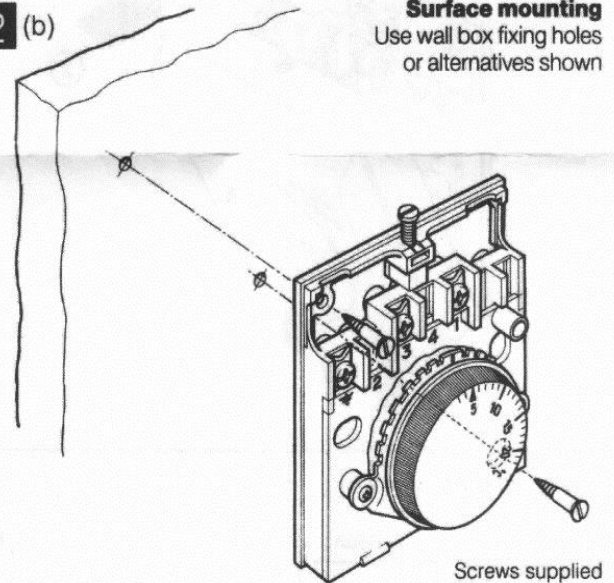
Fixing holes spaced to suit BS4662



2 (b)

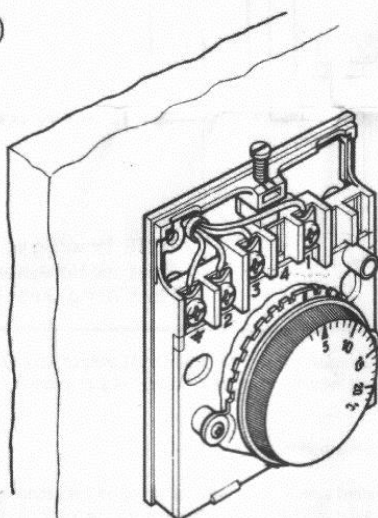
### Surface mounting

Use wall box fixing holes or alternatives shown



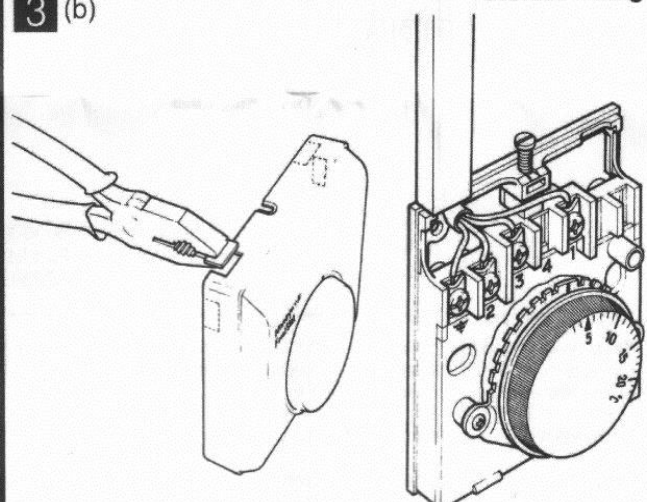
3 (a)

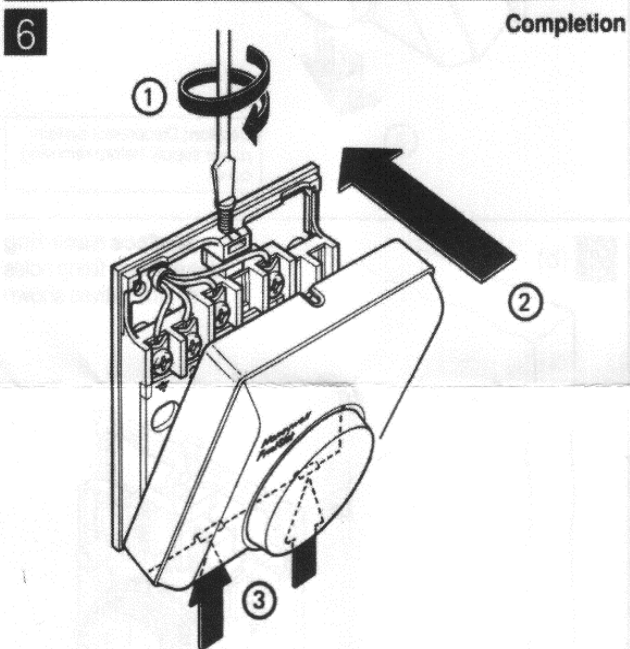
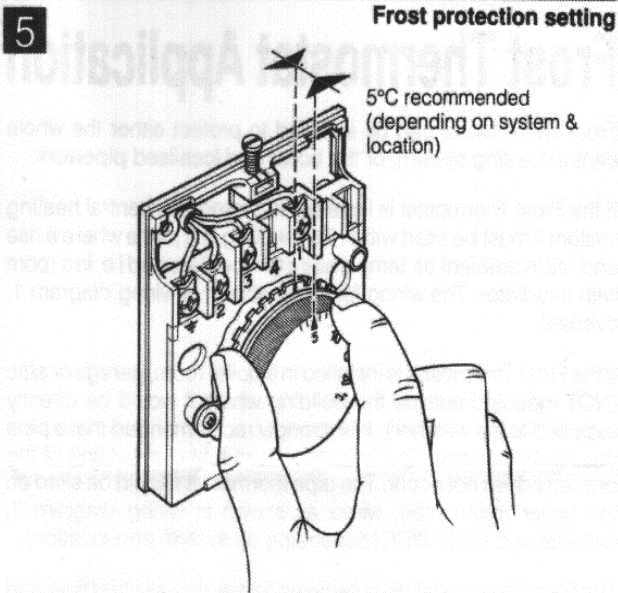
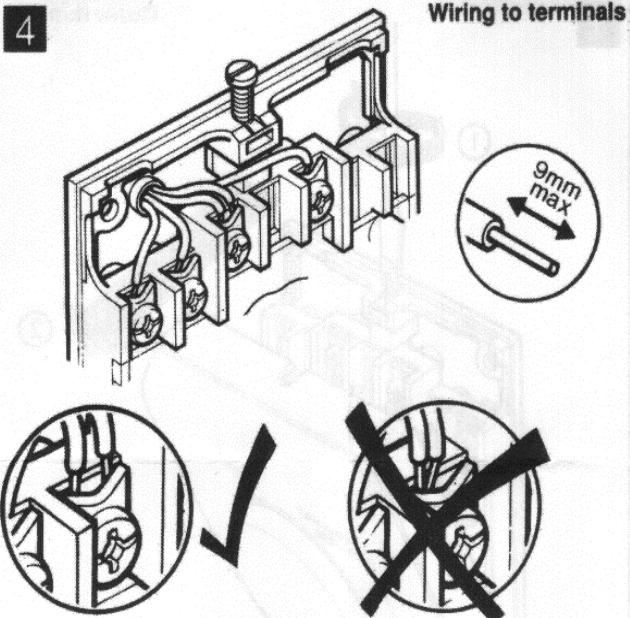
### Wall box wiring



3 (b)

### Surface wiring





### WIRING

All wiring must be in accordance with I.E.E. Regulations. This thermostat is for fixed wiring only.

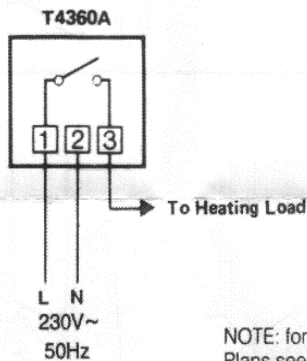
A Class 'A' switch (having contact separation of at least 3mm in all poles) must be connected in the fixed wiring of the system as a means of disconnecting the mains supply.

This thermostat is a Class II (double insulated) device. An earth terminal is provided for external earth wiring continuity. The heating system must be appropriately fused.

The thermostat has 4 knockouts on the cover for surface wiring installations. Care must be taken to use the knockouts so that the cable completely fills the knockout hole without leaving any gaps. Where used, mini-trunking must be fitted firmly against the thermostat cover in such a way as to leave no gaps.

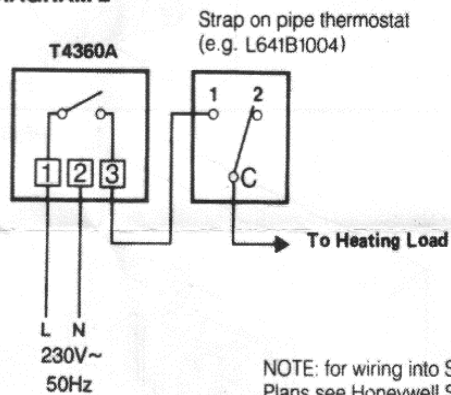
T4360A current rating: 10A resistive, 3A inductive.

### WIRING DIAGRAM 1



NOTE: for wiring into Sundial Plans see Honeywell Sundial Plans Wiring Guide RES2393.

### WIRING DIAGRAM 2



NOTE: for wiring into Sundial Plans see Honeywell Sundial Plans Wiring Guide RES2393.

Whilst Honeywell takes all reasonably practicable steps to design and manufacture its products to comply with the requirement of the Health and Safety at Work Act 1974, all products must be properly used and Purchasers are reminded that their obligations under the Act are to ensure that the installation and operation of such products at a place of work should be safe and without risk to them.

Honeywell reserve the right at any time and without notice to change any product or any information contained in this publication.

The wiring diagrams and installation instructions in this publication are for guidance purposes on recognised standard systems only. Any application of this product not shown here, or any deviation from these instructions, is neither recommended nor advised. Any such application or deviation must be referred to Honeywell for technical assistance.

