

Diesel Cooker

Workshop Manual

Diesel Cooker X 100



1. General

1.1 Contents and purpose	101
1.2 Use of the cooker	101
1.3 Additional documentation	101
1.4 Safety notes and legal issues	101
1.5 Suggestions for improvements and changes	101

2. Function description

2.1 System description	201
2.2 Main components	202
2.3 Operating scheme	207

3. Technical Data 301

4. Failure detection

4.1 Trouble shooting chart	402
4.2 General failures	403
4.3 Failure blink codes	406

5. Updating and repair

5.1 Updating	501
5.2 Test program	503
5.3 Burner	504
5.4 Glow plug	506
5.5 Heat exchanger and glass panel	507
5.6 Pump Boost	508

6. Electrical connections 601

7. Maintenance and service

7.1 Basic maintenance	701
7.2 Control unit settings	703

1 General

1.1 Contents and purpose

This workshop manual is designed to assist trained personnel with repairing the Webasto Diesel Cooker X 100.

1.2 Use of the cooker

The Webasto Diesel Cooker is designed for use in motorcaravans. It is not designed for use in boats.

1.3 Additional documentation

This workshop manual contains all the information and instructions required for repairing the Webasto Diesel Cooker X 100. If necessary the operating / installation instructions may also be used.

1.4 Safety notes and legal issues

In principle, the general accident prevention regulations and current works safety instructions are applicable.

Webasto Diesel Cooker X100 is tested by SGS, test specification standard EN 1:1998 + EN 60335-2-6:2003

Failure to follow the installation instructions and the notes contained therein will lead to all liability being refused by Webasto

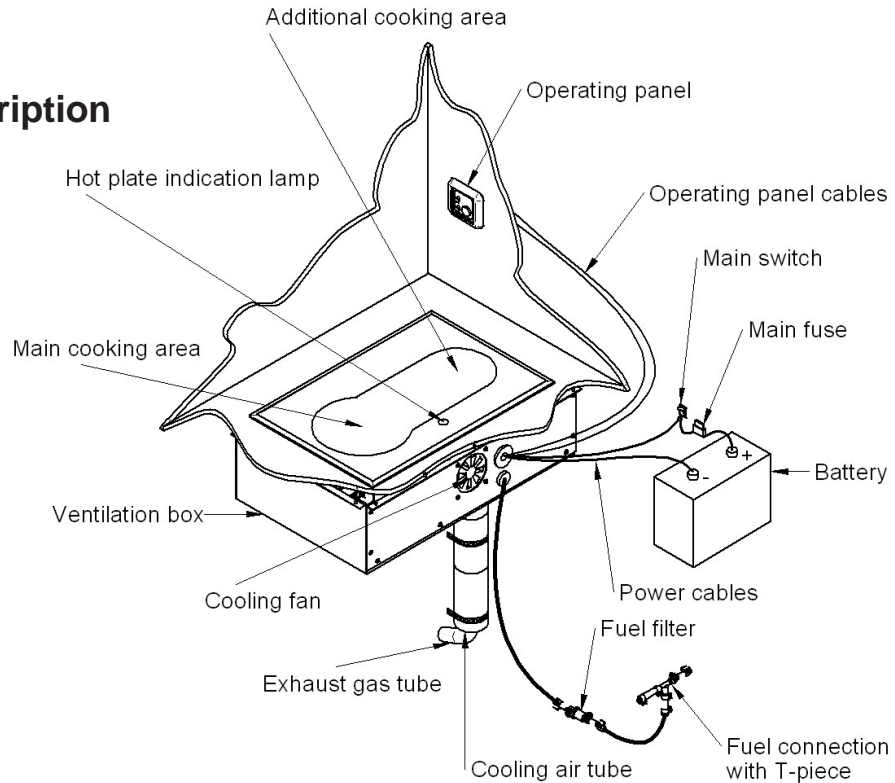
The same applies if repairs are carried out incorrectly or with the use of parts other than genuine spare parts. You must read the operating manual before starting the heater for the first time.

1.5 Suggestions for improvements and changes

Complaints, improvement suggestions or corrections relating to this workshop manual should be addressed to

Webasto AG
BU: Global Comfort Solutions
Dept. B5.6.2
Krailing Str. 5
D-82131 Stockdorf
Phone: +49 (89) / 8 57 94 - 6 34
PC-Fax: +49 (89) / 8 57 94 - 3 97

2 Functions description



2.1 System description

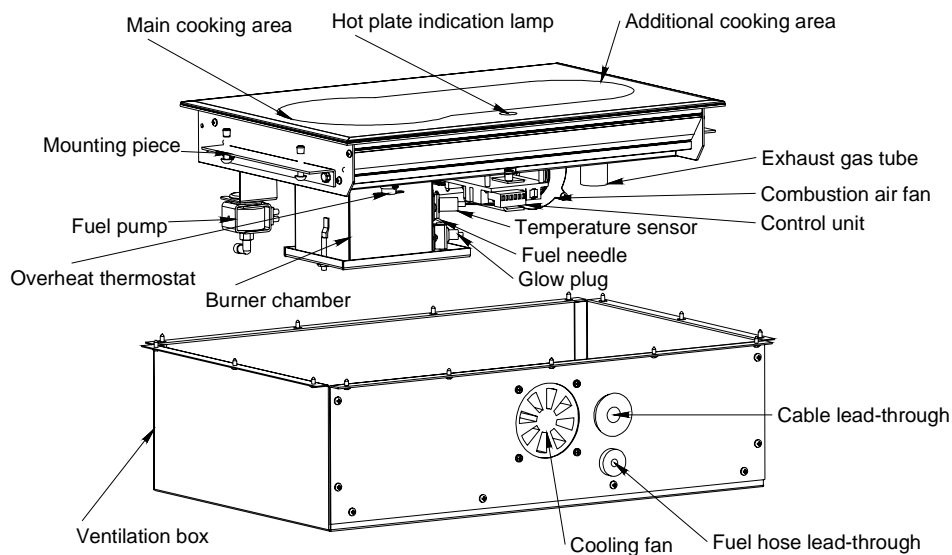
The Webasto Diesel Cooker X 100 is a safe diesel cooker with no open flame. The exhaust gases are led out of the vehicle through the exhaust gas tube, which is inside the cooling air tube. The steam from the exhaust gas will not stay in the vehicle to add humidity.

As the diesel fuel burns, the released heat is transferred to the ceramic plate. The hottest area is on the round plate. Gentler heat is available on the oblong extension. The heat power is steplessly adjustable.

A cooling fan in the ventilation box ensures that the temperature in the mounting space will not rise too high. The warm air is led out through the cooling air tube.

The cooker is ideally suited for cooking and heating of all kinds of food.

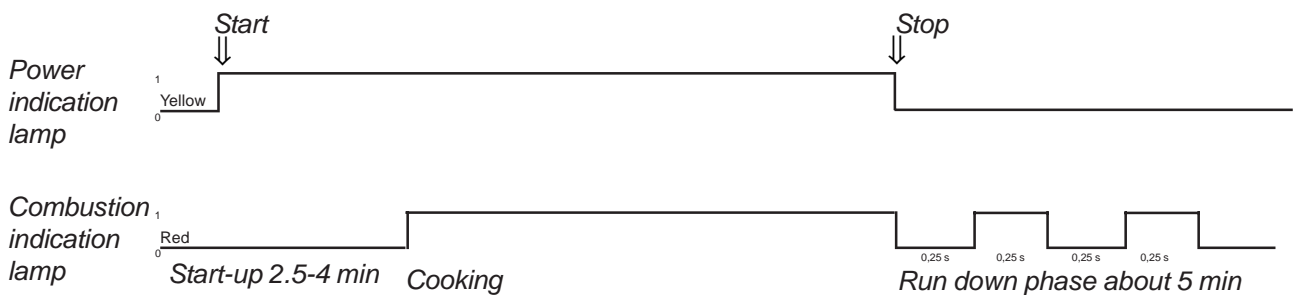
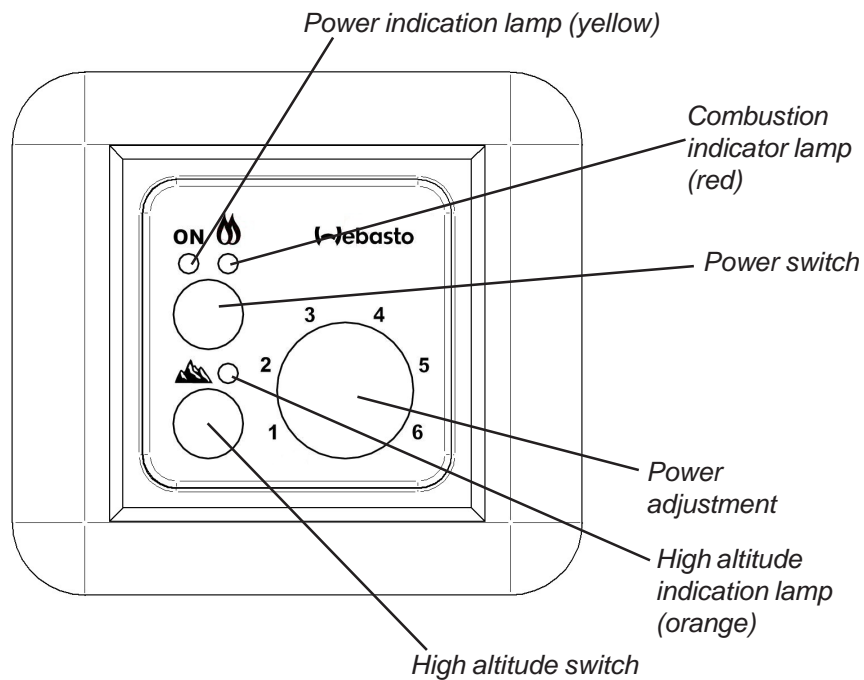
The cooker is made entirely of stainless materials.



2.2 Main components

Operating panel

The cooker starts to heat up automatically when the power button is switched to ON position. The yellow indicator lamp lights up as soon as the cooker is switched on. The red combustion lamp will light up when the combustion is stabilized in the burner, about 2.5-4 minutes after the start-up.



Signal lights of operating panel during normal operation

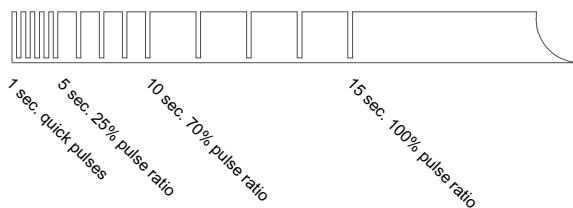
Fuel pump

The fuel pump is a combined transport, metering and shut-off system for supplying fuel from the vehicle's tank to the cooker.

The adjustment range for the pump's pulsing is 0.5 sec. - 4.5 sec.; adjustment is linear. Check the length of the pulsing in the last parameter file. After turning the operating switch to the ON position, the pump will be at a standstill for 30 seconds after which the pump's pulsing will begin to rise linearly towards the maximum setting; it will reach the maximum 4 minutes and 50 seconds after the start-up cycle ends. The power adjustment will not work during start up cycle. When you adjust the device from maximum to minimum, the pump's impulse interval will immediately drop, step by step, to the value of the minimum pulse interval (+ 0.5 sec.). After this, the pulse will exccelerate until it reaches the normal pulse interval at the minimum output. In other words, if the pulse interval at the maximum is 1 second and at the minimum 3 seconds, then the pulse interval will decrease immediately to 3.5 seconds when adjusting from maximum to minimum. It will rise from that point in 20 seconds to 3 seconds.

Glow plug

During the first second of ignition the glow plug receives quick pulses, with which you can make sure it is working properly. During the 2nd second, increases voltage with a pulse ratio of 25 %. After 5 seconds, increases the pulse ratio to 70 %; and after 15 seconds, raise the voltage to 100 %. Programmed ignition monitoring will begin 15 seconds after start-up before which there is only mechanical protection.



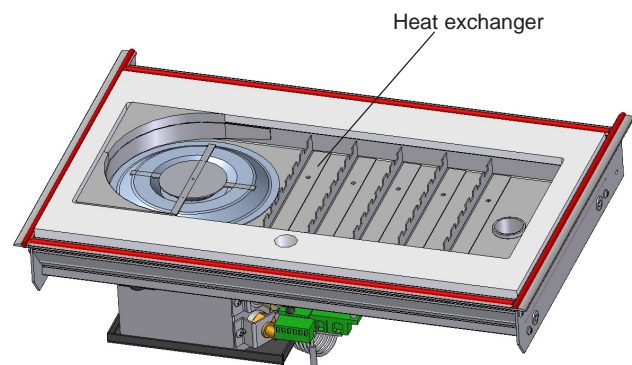
The principle of operation of the ignition voltage

Combustion air fan

The voltage range of the burning fan may be altered between 4.8 V and 10.7 V by changing the parameters; the adjustment range of the parameters is 4,000 mV – 11,000 mV. Check the voltage in the last parameter file. During the first second of start-up the control unit tests the fan's motor. During the following second, the motor receives an initial impulse of 7 V from which the voltage is decreased to the minimum set forth in the parameters. The voltage will be increased linearly towards the maximum during the start-up cycle; the maximum will be reached in approximately 4 minutes and 50 seconds after the start-up cycle ends. The power control does not work during this time. After the start-up cycle, the burning fan adjusts itself from maximum to minimum and minimum to maximum at a rate of 5 % per second (20 sec. max. > min.).

Heat exchanger

The heat generated by the combustion process is transferred to the air transported by the combustion air blowers into the heat exchanger. There is gives off heat to the ceramic glass panel. The exhaust gas then exits through the exhaust gas tube and is ducted outside the vehicle through the stainless steel exhaust tube.



Temperature sensors

The T4 circuit measures the voltage of the heat sensor (thermocouple) and will light the red LED light if the voltage exceeds the limit (10 mV). Ten seconds after start-up the T4 will begin recognizing the voltage. The burning detection limit is 10 mV and it will be raised 30 % at the same pace as the voltage rises. The burning detector's (red LED light) ignition indicator is 10 mV and its shut-down indicator is 13 mV. There is an 8-second delay from the time the burning detector shuts off until the pump shuts down. The lock-up detector will automatically reset from the burning detector. The red LED light will indicate whether or not the burning detector is functioning. See 2.2 "Descriptions of flashing lights".


T3 is a overheat thermostat. When the temperature will rise over 150° Celcius it will cut the power off from pump and the unit goes to after cooling phase. After the unit is cool thermostat will automatically go to on position.

Hot plate indication lamp

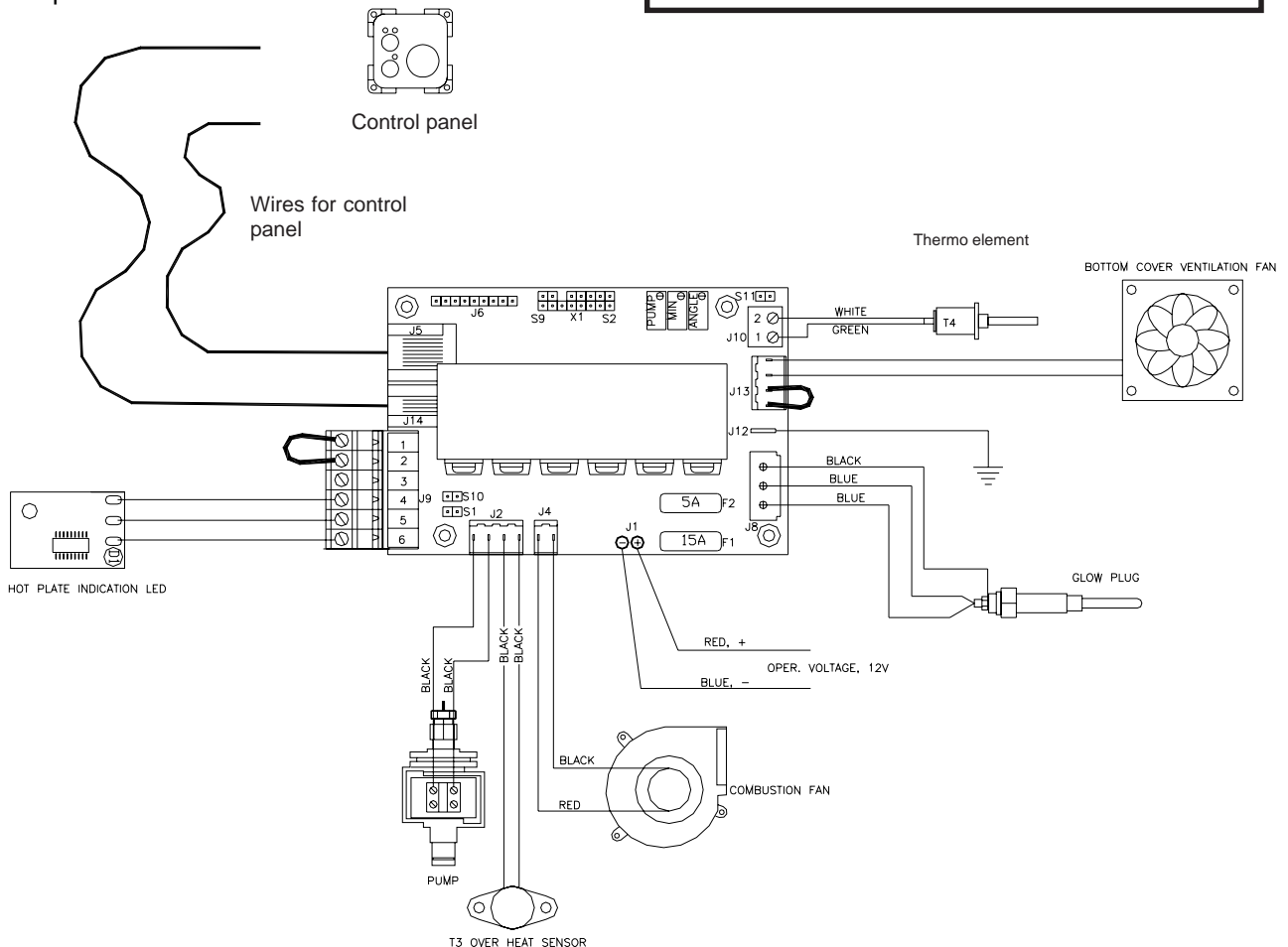
An orange hot plate indication lamp lights on the lower edge of ceramic plate when the plate is hot. The hot plate indication lamp will light up immediately after the start. The lamp will remain on for 50 minutes (± 10 %) after the cooker has been turned off.

Control unit

The control unit is the central component for ensuring the cooker's function and monitoring a proper cooker operation. If a fault occurs, an error code will be output in the LEDs of the operating panel by various flashing sequences. In addition, the heater's parameters and running hours can be checked using a personal computer.



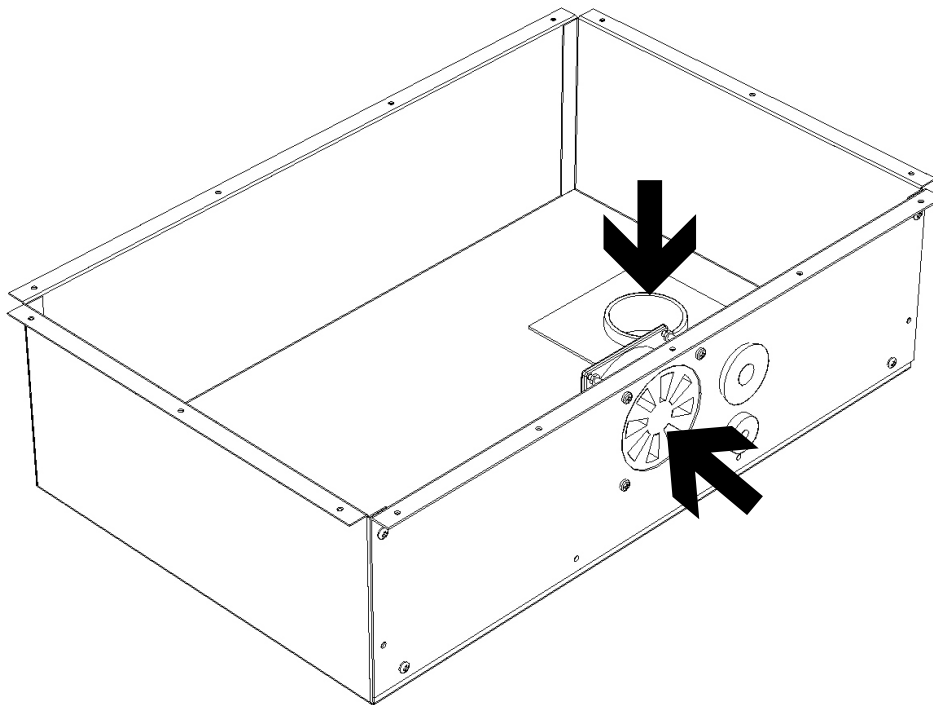
Note! You must be sure you have ESD protection while handling the control unit. **Static electricity can damage the control unit.**



Electrical connections for the control unit

Cooling system

In order to cool down the cooker underneath of the cooker is assembled a ventilation box. On the frontside of the box is a axial fan wich is blowing fresh air into box. Hot air is blown away from box through outlet which is located on the bottom of the box. The exhaust outlet is located inside the fresh air tube (= a coaxial hose). This will mean that fresh air is also cooling down the exhaust gases. See also installation manual : Exhaust system.



Burner

Thermal radiator for the burner

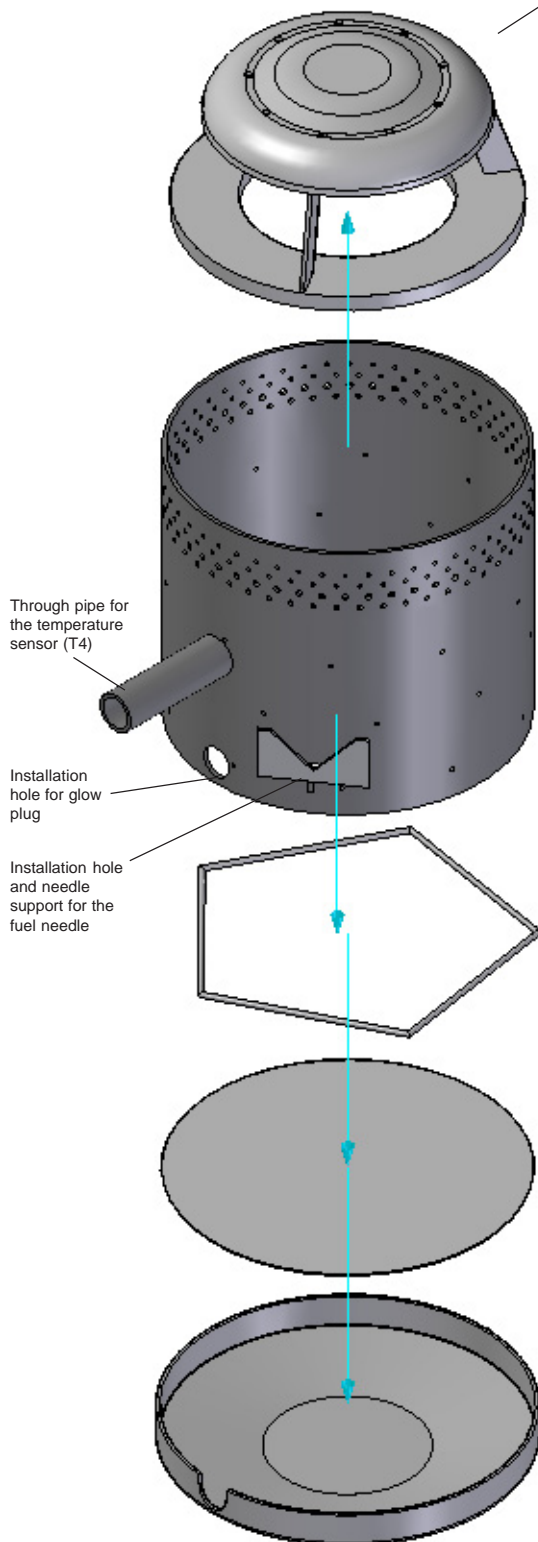
Detaching the thermal radiator:

There are two locking plates on the inside of the burner's "perforated" cylinder, which have been spot welded to the sides of the cylinder. Prying one of the locking plates with a screw driver against the side of the cylinder, for example, should be enough to free the thermal radiator and pull it up.

Installing the thermal radiator:

Push the thermal radiator inside the "perforated" cylinder until the locking plates lock the thermal radiator in place.

Note! The locking plates must be bent a bit crosswise before you can assemble the thermal radiator back in place. This will ensure that the thermal radiator will stay in place during transport as well.



Burner cylinder

Burner's bottom mat spring

The bottom mat spring for the burner ensures that the bottom mat stays on the bottom of the burner preventing the glow plug from going under the bottom mat.

Bottom mat of the burner, Ø 85 mm

(Delivered together with the bottom mat spring.)

Base of the burner

Complete burner cylinder
(Includes all parts you see in the picture.)

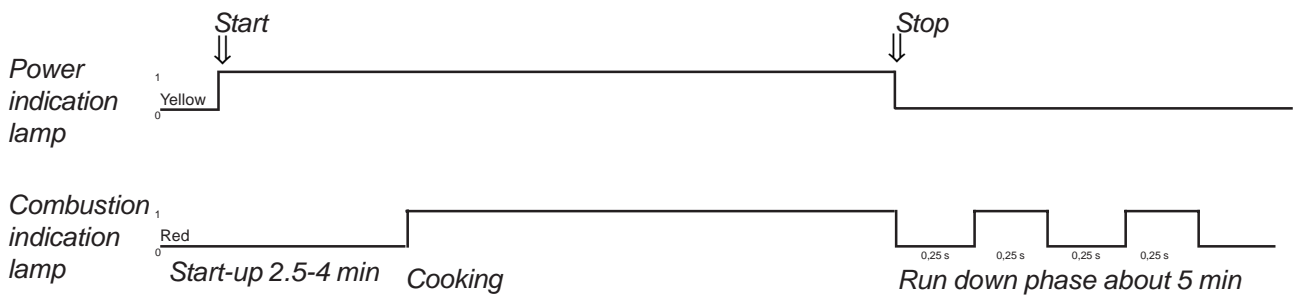
Removing deposits:

Mechanically remove deposits by using a screw driver, for example. Scrape all of the inner surfaces of the burner clean and replace the bottom mat of the burner.

2.3 Operating scheme

How the device works

Turn the device on by turning the switch on the control panel to the ON position. The yellow LED light next to the switch will illuminate signifying that the device is on. If the yellow LED light flashes at intervals of one second, then the device is not receiving enough voltage. The under-voltage limit is 10.7 V.



Signal lights of operating panel during normal operation

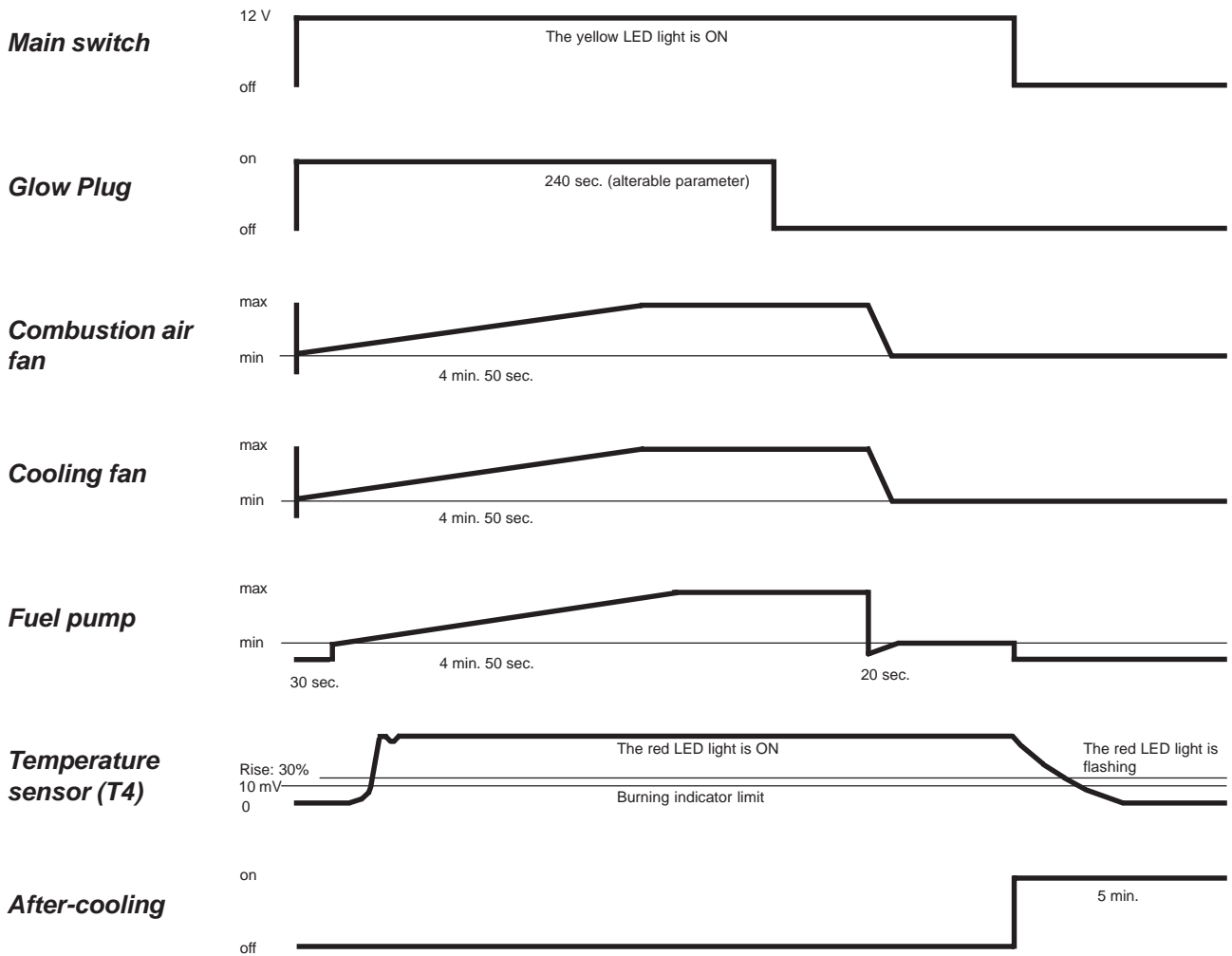


Table illustrating the device's principle of operation

3 Technical Data

Except where limit values are specified, the technical data listed in the table refer to the usual heater tolerances of $\pm 10\%$ at an ambient temperature of $+20\text{ }^{\circ}\text{C}$ and at the rated voltage and in rated conditions.

Electrical components

The control unit, combustion air fan, cooling fan, fuel pump, glow plug and operating element are designed for 12 V. The components overheat thermostat and temperature sensor are not designed for a specific voltage.

Fuel

The diesel fuel specified by the manufacturer must be used. It has to comply with the normal quality available on the German market according to DIN 51603.

We know of no negative influences due to additives. If you change to low-temperature fuel, the cooker must be operated for approx. 15 minutes so that the fuel system is filled with the new fuel.

THE DEVICE'S	FUNCTION	TECHNICAL VALUES
Dimensions		466 x 316 x 205 mm
Weight		~ 8 kg
Size of replacement air aperture (minimum area)		100 cm ²
Heating capacity (calculated)	Max. adjustment range	0.9 ... 1.9 kW
Fuel		Diesel
Longest permissible length of fuel hose		8 m
Highest permissible rise of fuel hose (without adjusting the pump)		1.5 m
Fuel consumption	Max Min	190 ml/h (0.16 kg/h) 90 ml/h (0.07 kg/h)
Pump's pulse intervals, $1/f_{pump}$	Max Min	1.45 sec. (see parameter file) 3.00 sec. (see parameter file)
Nominal operating voltage		12 V DC
Functioning voltage range		10.7 ... 15 V
Current consumption		0.3 A, upon ignition 8 A
Glowing time		240 sec. (see parameter file)
Burning fan's voltage, U_{fan}	Max Min	~ 9.5 V (see parameter file) ~ 5.5 V (see parameter file)
Longest permissible length of the combustion hose		1.9 m, straight downwards 1.2 m (ø 28 mm and ø 60 mm)
CO_2 of the combustion (calculated)	Max Min	6 ... 7 % 4 ... 5 %
Temperature of the combustion, T	Max Min	~ 265 °C ~ 135 °C
Combustion's carbon monoxide content, CO	Max Min	< 20 ppm < 100 ppm
Combustion's soot index	Max Min	0 0
Air coefficient of the combustion	Max Min	~ 2.5 ~ 3.4
Combustion's oxygen content, O_2	Max Min	11.5 ... 13.0 % 14.0 ... 15.5 %

4 Failure detection

This section describes how to identify and remedy faults on the Webasto Diesel Cooker X 100. If a fault occurs, an error code will be output via the LED's of the operating panel.

CAUTION

Troubleshooting work demands precise knowledge of the structure and theory of operation of the various components and must be carried out by trained personnel only.

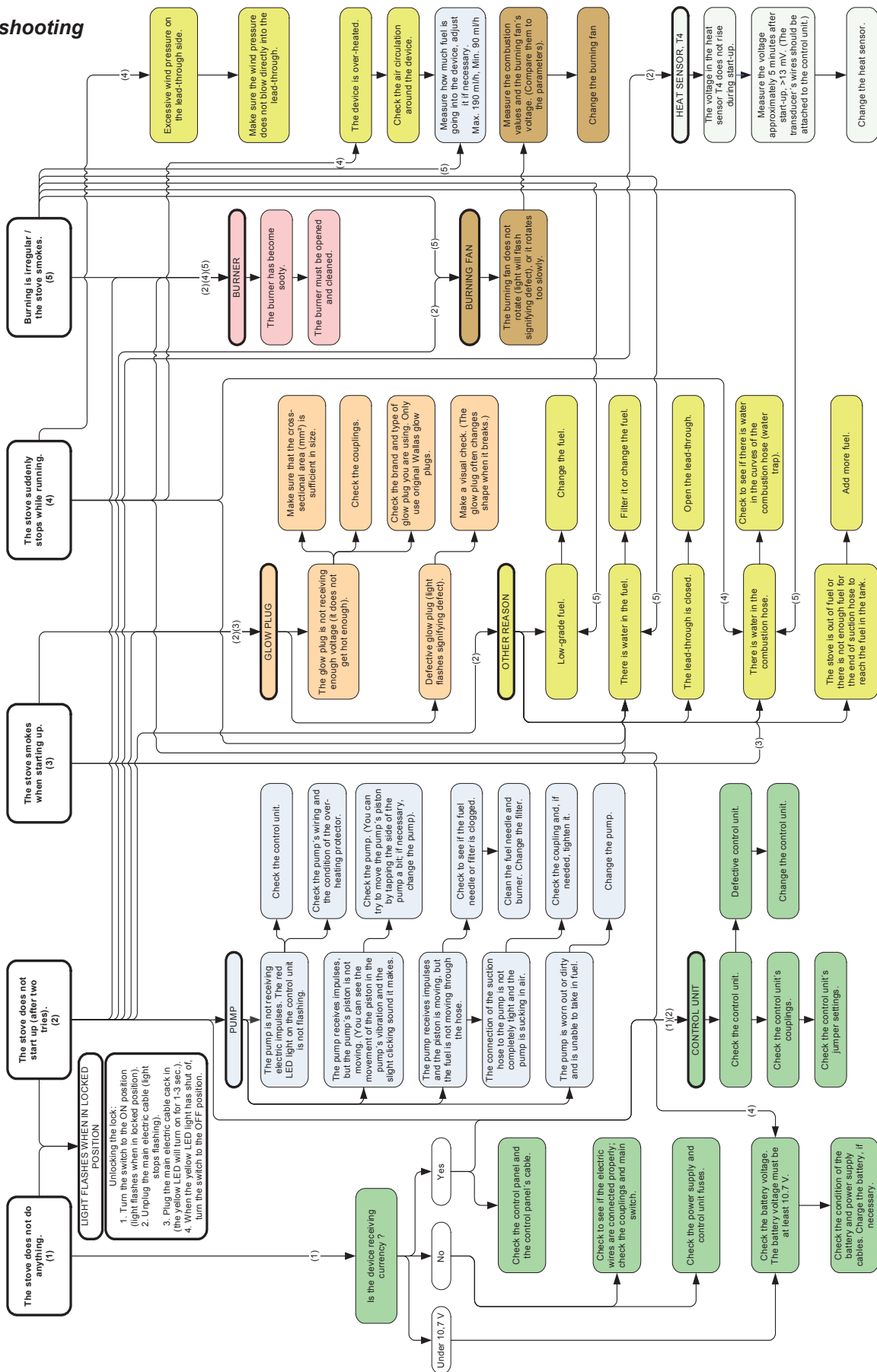
CAUTION

The troubleshooting guide is restricted to the localisation of defective components. The following potential sources of malfunctions should always be checked so that they can then be excluded as the cause of the particular fault:

- **Corrosion on plugs**
- **Loose plug contacts**
- **Poor crimp contacts on plugs**
- **Corroded cables and fuses**
- **Corroded battery terminals**

If you wish to check individual components, the electrical plug connectors on the control unit must be disconnected. Conduct a function test in the vehicle after correcting each fault.

4.1 Trouble shooting



4.2 General failures

Failure symptom	Possible reason	How to repair
Cooker does not respond at all.	Operating voltage is under 10.7 VDC ? (Measure the voltage from control unit's voltage connector).	Check the main cable connections and the main switch.
	A) Yes. Check the control unit, control panel and control panel cable.	Check fuses on main cable and on control unit.
	B) No. See how to repair.	Check the battery voltage. Battery voltage must be over 10,7 VDC.
Cooker does not start. <i>Note: After two failed start attempt the cooker is in lock-up state !</i> <div style="border: 1px solid black; padding: 5px; margin-top: 10px;"> <u>Removing Lock-Up:</u> 1. Turn the cooker ON (lock-up LED is blinking). 2. Unplug the main cable (blinking goes OFF). 3. Plug in the main cable (yellow LED blinks couple of times). 4. When yellow LED goes OFF, turn cooker OFF. </div>	Pump	
	Pump does not get get pulses. Red LED does not blink on control board.	Check the control unit. Check the pump wires / wiring and over heat protector's condition.
	Pump get's the puls, but pump piston does not move. (A small ticking sound can be heard when the piston moves)	Check the pump. (Sometimes a small tapp on pump's side help's to relase the piston, if necessary change the pump).
	Pump get pulses and piston moves, but fuel does not move inside the fuel line.	Check if the fuel needle or fuel filter is blocked.
	IFuel line joint to the pump is loose and pump get's air.	Check and tighten joint.
	Pump is worn or dirty and can not pump fuel.	Replace the pump.
	Glow plug	
	Glow plug does not get sufficient voltage. (Glow plug is not hot enough).	Check that the main cable cross area (mm ²) is large enough. Check also all connections.
	Glow plug is faulty. (fault blinking).	Visual check, (often the plug changes form when faulty).

Combustion air blower	
Combustion air blower does not run. (Fault blinking).	Measure blower's voltage, (compare to the parameter table).
	Replace the combustion air blower.
Control unit (PCB)	
Control unit faulty.	Replace the Control unit.
Temperature sensor T4	
Temperature sensor voltage does not rise during start up.	Measure the voltage approx. 5 minutes after the start up, voltage must be over 13mV, (sensor wires attached to the board)
	Check the temperature sensor.
Other cause	
Bad fuel quality.	Change the fuel.
Water in fuel.	Change the fuel.
Exhaust lead through blocked.	Remove blockage.
Water inside the exhaust pipe.	Remove the water. Make sure that there is no water lock, (water in pipe bend's).
No fuel.	Refill fuel tank.

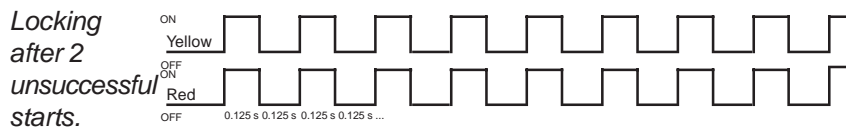
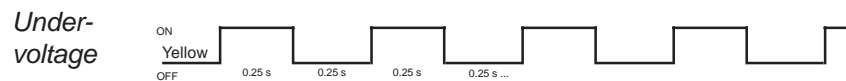
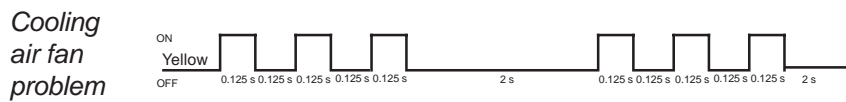
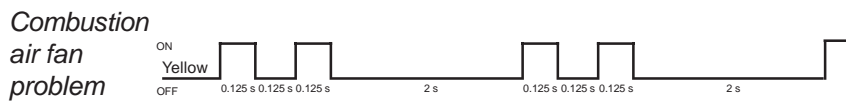
Cooker is smoking during starting phase.	Glow plug voltage is too low, (glow plug is not hot enough).	Check that the main cable cross area, (mm ²), is large enough. Check also all cable connections and connectors.
	Glow plug faulty, (fault blinking)	Visual check, (often the plug changes form when faulty)
	Water in fuel.	Change the fuel.
	Water inside the exhaust pipe.	Remove the water. Make sure that there is no water lock, (water in pipe bend's).

Cooker goes OFF by itself.	No fuel.	Check and add fuel if necessary.
		Check the fuel pump's operation.
	Battery voltage too low, must be more than 10.7 VDC.	Check the battery condition and main cable connections. Recharge the battery if necessary.
	Water in fuel.	Change the fuel.
	Water inside the exhaust pipe.	Remove water. Make sure that there is no water lock, (water in pipe bend's).
	Hard wind pressure on exhaust lead through vent.	Turn the vehicle so that the wind does not hit directly the lead through vent.
	Cooker over heated.	Check the free air flow around the cooker.
		Measure the fuel consumption, adjust if needed. <i>Max 190 ml, Min 90 ml</i>
Burner is sooty.	Clean the burner. (see chapter burner)	

Unstable combustion / cooker smokes.	Water in fuel.	Change the fuel.
	Bad fuel quality.	Change the fuel.
	Water inside the exhaust pipe.	Remove the water. Make sure that there is no water lock. (water in pipe bend's.)
	Wrong fuel consumption.	Measure the fuel consumption, adjust if needed. <i>Max 190 ml, Min 90 ml</i>
		Check the fuel needle and the filter.
Burner is sooty.	Clean the burner. (see chapter burner)	

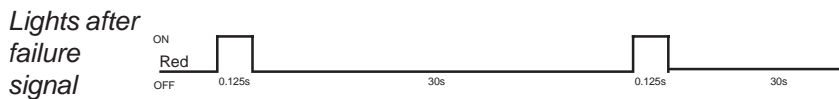
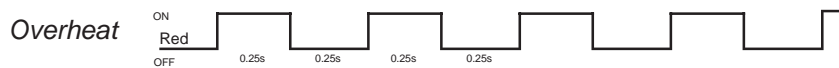
4.3 Failure blink codes

Signal lights in case of malfunctions.



Opening the locking:

1. Switch the power ON (lock blinking).
2. Disconnect the main power cord (blinking stops).
3. Reconnect the main power cord (the yellow LED lights up for 1-3 seconds).
4. When the yellow LED has gone out, switch the power OFF.



The red lamp begins blinking when failure signal has lasted for 5 minutes.

Descriptions of the flashing LED lights beginning from XPS v 1.2.

Leds on the control panel

Yellow LED

If the device does not shut off in the heating phase, after the initial testing, due to a defect, then the start-up will continue and the yellow LED light will illuminate and remain on continuously.

Initial testing

One quick flash of the yellow LED indicates that there is a malfunction in the glow. The LED light will be on for 0.125 seconds and off for two seconds, after which it will repeat the sequence. The glow defect may be due to a short circuit or complete breakage.

Two quick, consecutive flashes of the yellow LED light indicate a malfunction in the burning fan. In this case, the LED is on for 0.125 seconds at first, then it is off for 0.125 seconds and then on again for another 0.125 seconds. After the second flash, the LED is off for two seconds before it makes a new double flash. The malfunction is either due to a short circuit or the routing for the burning fan is completely broken.

Three quick, consecutive flashes of the yellow LED light indicate a malfunction in the main fan (other names include rotary fan, ventilation fan or cooling fan). Each flash lasts 0.125 seconds and the time between two consecutive flashes is also 0.125 seconds. After the third flash the LED light is off for two seconds before it makes a new triple flash. The main fan's malfunction is either due to a short circuit or the routing for the main fan is completely broken. The main fan should be tested in the ventilation stage as well.

Testing the power control: the flashing speed of the yellow LED light only changes according to the potentiometer setting when the pin pair, S1, is closed. When S1 is open, the speed of the flashing correlates to the minimum of the potentiometer regardless of the potentiometer's actual position.

Indication of a malfunction in the operating voltage

A uniform flashing of the yellow LED light indicates if and when the battery voltage has decreased below 10.7 V. The LED light is on for 0.25 seconds, turns on and off alternately.

Third attempt to start the device

After two unsuccessful attempts to start the device, the third attempt will lock it. In this case all LEDs will begin to flash at a quick pace. The LEDs flash on and off for a duration of 0.125 seconds.

Incorrect device parameters

If the device's parameters are not set within the permitted range of values at the point of start-up, then the device will not start. However, the attempt to start the device counts towards one start-up. All LEDs will begin to flash in a circulating pattern; each LED light will be on for a duration of 0.125 seconds. All LED lights shut off for a duration of 0.125 seconds between the time the first LED light shuts off and another LED turns on. The LEDs circulate in the following order: the yellow LED light and the red LED light. During normal use, incorrect device parameters should not occur in the device's memory because the XP Link terminal programme does not allow users to enter incorrect parameters into the device's memory.

Test phase

When the thermostat pin pair, S1, is closed, the yellow LED light flashes according to the potentiometer setting during the test phase. In this case, when the potentiometer is at the minimum, the LED light flashes on and off for a duration of 0.5 seconds. When the potentiometer is at the maximum, the LED light flashes on and off for a duration of 0.05 seconds. The LED light flashes on and off for a duration of 0.5 seconds when S1 is open.

Red LED

Burning indicator and after-cooling

In the heating phase, when the burning indicator has turned on during glowing or ignition, the red LED light will illuminate at that point and remain illuminated continuously. The LED light will react without any delay if the burning indicator shuts off. The actual malfunction that caused the burning indicator to shut off will be locked 5 seconds after the burning indicator fails to work.

During after-cooling, the LED light will begin to uniformly flash once the burning indication limit has been broken.

The LED will flash on and off for a duration of 0.25 seconds. After-cooling lasts for approximately five minutes.

Flashing due to over-heating

During the heating phase, when the alarm indicating over-heating has locked as the result of a 5-second over-heating situation, the red LED light will uniformly flash. The LED will flash on and off for a duration of 0.25 seconds. The LED light will shut off 5 minutes after the start of the flashing due to over-heating.

Flashing light after the flashing due to a malfunction

When the flashing light due to initial test malfunctions, as presented in the "Initial testing" section, has lasted 5 minutes, the yellow LED light will shut off and the red LED will begin to flash at intervals of 30 seconds. Each flash during the 30 seconds lasts 0.125 seconds.

Third attempt to start the device

After two unsuccessful attempts to start the device, the third attempt will lock it. In this case all LEDs will begin to flash at a quick pace. The LEDs flash on and off for a duration of 0.125 seconds.

Incorrect device parameters

If the device's parameters are not set within the permitted range of values at the point of start-up, then the device will not start. However, the attempt to start the device counts towards one start-up. All LEDs will begin to flash in a circulating pattern; each LED light will be on for a duration of 0.125 seconds. All LED lights shut off for a duration of 0.125 seconds between the time the first LED light shuts off and another LED turns on. The LEDs circulate in the following order: the yellow LED light and the red LED light. During normal use, incorrect device parameters should not occur in the device's memory because the XP Link terminal programme does not allow users to enter incorrect parameters into the device's memory.

Testing phase

The red LED light will be on during the testing phase when the voltage measured on the T4 circuit exceeds the 5 mV threshold. Correspondingly, the LED will shut off when the measured value drops under 5 mV.

5 Updating and repair

WARNING

The cooker must not be operated in enclosed areas such as garages and workshops without an emissions extraction system.


5.1 Updating

There may be a maximum of 32 parameter files programmed on the control unit.


The parameters may be put on the control unit either one at a time or all together.

XPS software

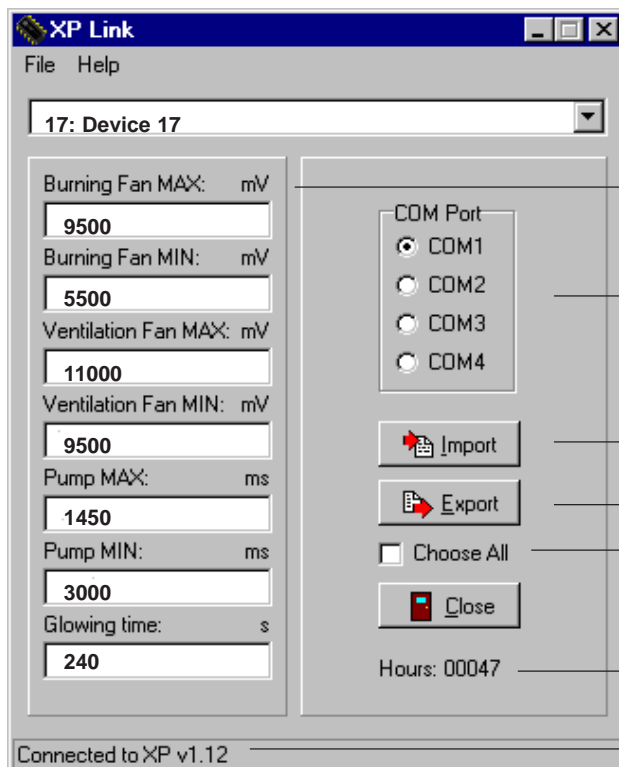
Download the programme onto your computer; the name of the programme is **xplink.exe**. Hook a data-transmission cable between the computer and control unit. The length of the cable is 1.5 m and you hook it to the serial port. If your computer does not have a serial port, then the data-transmission cable must be connected via an USB adapter.



Make sure you always use the latest parameters.



Make sure the USB adapter you use is compatible with your operating system.



- For choosing the device
- Parameter files may be saved from the file or manually edited
- For choosing the PC's port
- From the control unit to the PC
- From the PC to the control unit
- Checking this box enables you to choose all devices at one time
- Amount of operating hours
- Signifies what programme version is being used on the control unit

Figure 1

1. **Copy** all files from the CD on to your computer's hard disk to the location of your choice.
2. **Install** the PC cable in to an available COM port. You may need a USB-COM adapter to install the cable if your laptop does not have a COM port.
(*Note! Make sure you choose the right USB adapter*)
3. **Connect** the PC cable to the XPS card as illustrated in Figure 2.
Note! The coupler has 5 studs in use; one stud has been soldered shut: There is only one way you can connect the PC cable to the control unit.
4. **Connect** the electrical and control panel wires to the control unit and turn the stove on.
5. **Start** the programme by double-clicking on the xplink.exe file, located on your computer's hard disk. XPlink will open up as illustrated in Figure 1 (see previous page).
6. **Choose** the correct COM port (COM1 ...COM4, depending on your computer's settings).
When you have succeeded in getting the correct COM port to work, the control unit's amount of operating hours and programme version will be displayed on the Xplink operating system (Figure 1).
7. **Click** "File" > Open > AI.xpd (always use the last file that was used)

8. There are two ways to update a single device:

8.1

You can update all parameters by clicking on "Choose all".

Click on "Export"

The parameters of all devices are updated at the same time; this takes just a few moments. When the parameter update has succeeded, the text "...file transfer ok..." will appear on the screen after a few seconds. If the data transfer has been unsuccessful, the operating system will display an error message on the screen.

8.2

You can also update the parameters of just one device. In this case, **DO NOT** click on "Choose all". Next, choose the appropriate device from the pop-down menu.

"Device 17".

Click on "Export".

Loading may take 1 to 2 seconds.

When the parameter update has succeeded, the text "...file transfer ok..." will appear on the screen after a few seconds. If the data transfer has been unsuccessful, the operating system will display an error message on the screen.

9.

When the parameter update has been successful, detach the PC cable from the control unit.

10.

You can use the new parameters immediately.

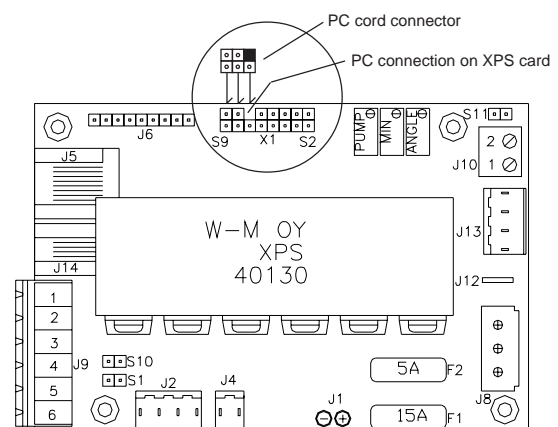
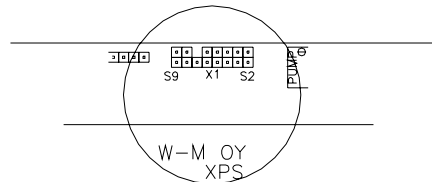


Figure 2

5.2 Test program

A device named "Test"

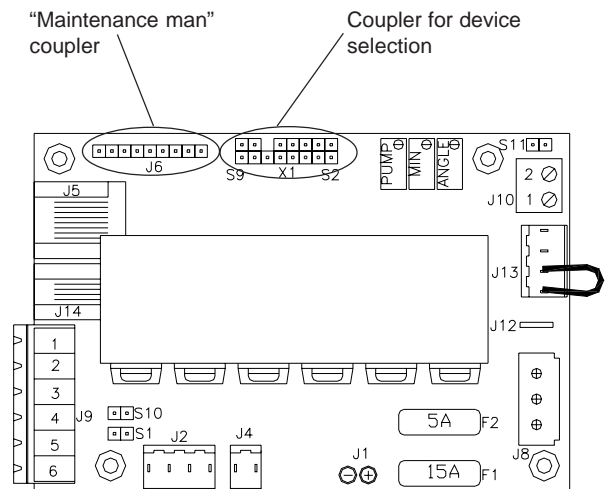
The test device assists the maintenance person when investigating the condition of the control unit, e.g. directly from the maintenance coupler J6. The test device is a device / in the device parameter selection X1, Device 1. You can get to Device 1 by detaching all jumpers from the pin pairs (S2 – S6). The test device assists the maintenance person when investigating the condition of the control unit, e.g. directly from the maintenance coupler J6.



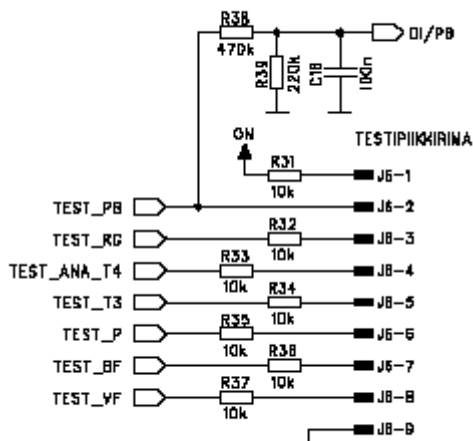
The following values have been programmed as the test device:

- 7 V for the main fan's motor
- 7 V for the burning fan's motor
- Glow on normally and stays on, 11 V
- 4 clicks from the pump
- T4 voltage > 5 mV !
- Burning indicator LED light turns on
- T4 voltage decreases < 5 mV !
- Burning indicator LED light shuts off
- Flashing of the yellow LED 1 Hz when the potentiometer is at the minimum
- Flashing of the yellow LED 10 Hz when the potentiometer is at the maximum

If you do not get these values, the control unit is defected.



Measurements from the control unit



Connection diagram for maintenance coupler

You can measure the following values from the J6 connector while the unit is running:

- J6-1**, Operating voltage
- J6-2**, Quick pumping
- J6-3**, Glow plug voltage
- J6-4**, T4 voltage (after amplifier)
- J6-5**, T3 voltage (pulse)
- J6-6**, Pump pulse
- J6-7**, Voltage for burning fan
- J6-8**, Voltage for main fan
- J6-9**, GND

5.3 Burner

Thermal radiator for the burner

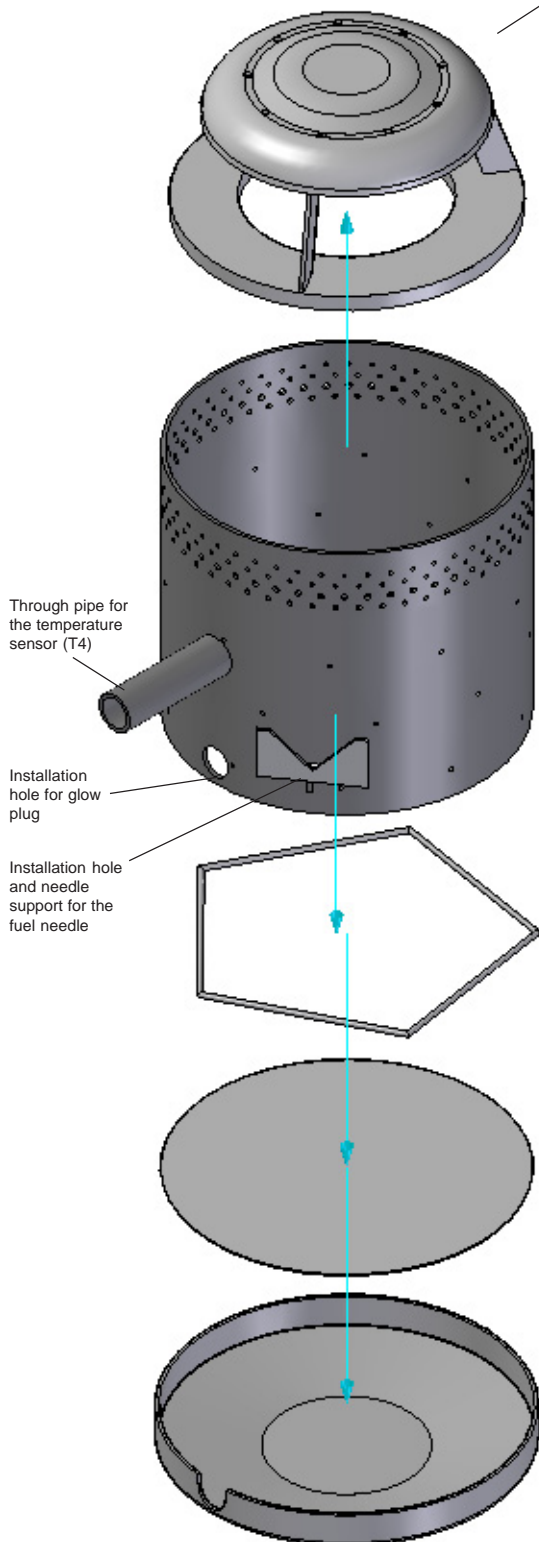
Detaching the thermal radiator:

There are two locking plates on the inside of the burner's "perforated" cylinder, which have been spot welded to the sides of the cylinder. Prying one of the locking plates with a screw driver against the side of the cylinder, for example, should be enough to free the thermal radiator and pull it up.

Installing the thermal radiator:

Push the thermal radiator inside the "perforated" cylinder until the locking plates lock the thermal radiator in place.

Note! The locking plates must be bent a bit crosswise before you can assemble the thermal radiator back in place. This will ensure that the thermal radiator will stay in place during transport as well.



Burner cylinder

Burner's bottom mat spring

The bottom mat spring for the burner ensures that the bottom mat stays on the bottom of the burner preventing the glow plug from going under the bottom mat.

Bottom mat of the burner, Ø 85 mm

(Delivered together with the bottom mat spring.)

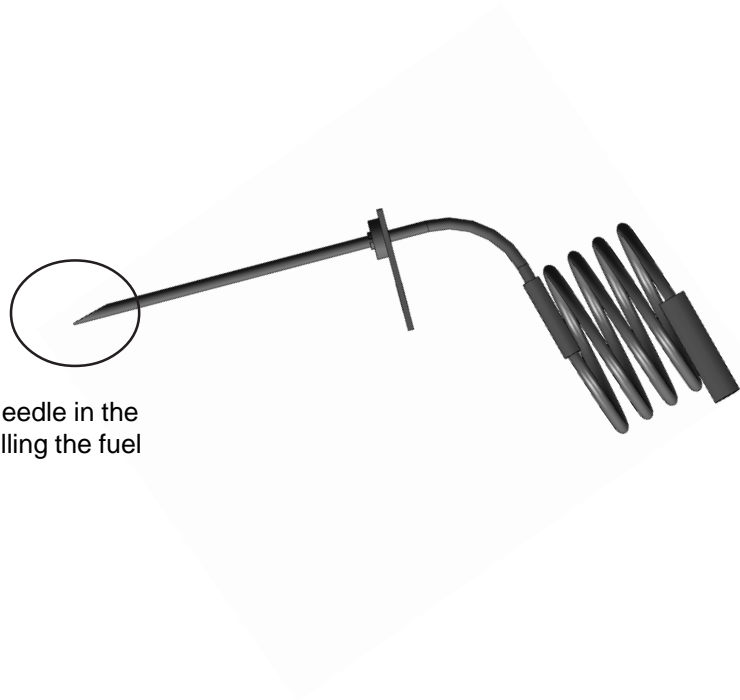
Base of the burner

Complete burner cylinder
(Includes all parts you see in the picture.)

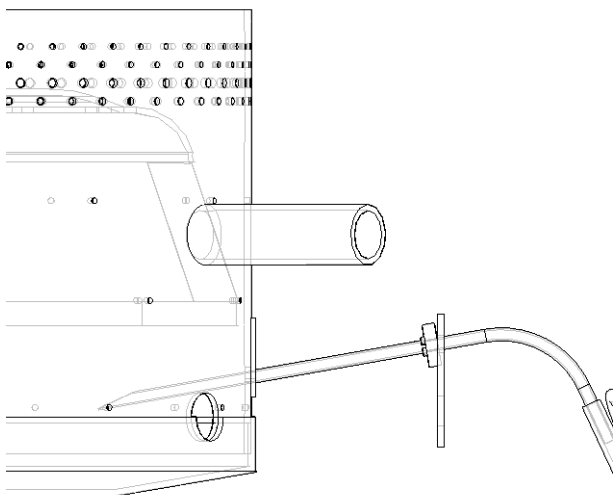
Removing deposits:

Mechanically remove deposits by using a screw driver, for example. Scrape all of the inner surfaces of the burner clean and replace the bottom mat of the burner.

Installing the fuel needle



The direction of the slanted tip of the needle in the burner must be considered when installing the fuel needle.



The slant of the needle goes towards the upper edge of the burner.

5.4 Glow plug

The glow plug consumes approximately 8 A of power during the glowing stage. The length of the glowing phase is the time stated in the parameters. The temperature of the glow plug rises extremely quickly. As you can see from Fig. 5, the tip of the plug reaches 850°C in twenty second's time. (The glow plug we have used is in the 2nd generation category.)

Malfunction:

The glow plug may experience a malfunction as a result of thermal overload. In this case, the resistance wire will either break or short circuit with the shell of the glow plug.

Installation:

If you are only going to change the glow plug, make sure you are careful in connecting the + wire. The largest permissible tightening torque for the mounting is 5 Nm. **When connecting the mounting nut, you must hold on to the bottom nut (1) to keep the inner parts of the glow plug from becoming damaged.**

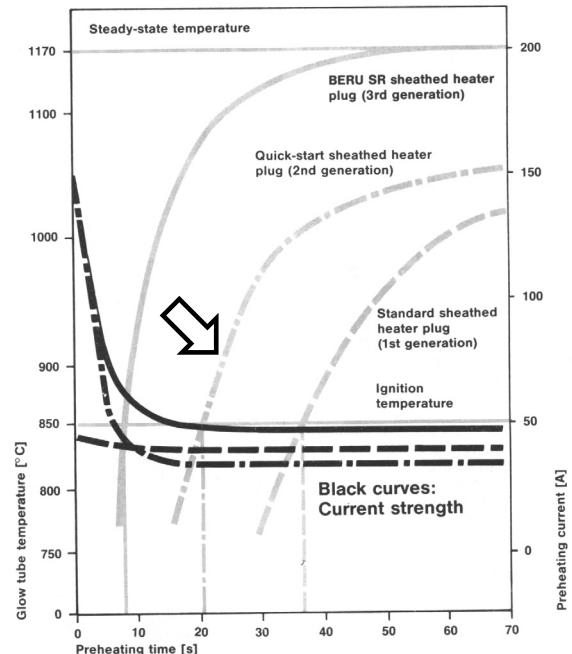
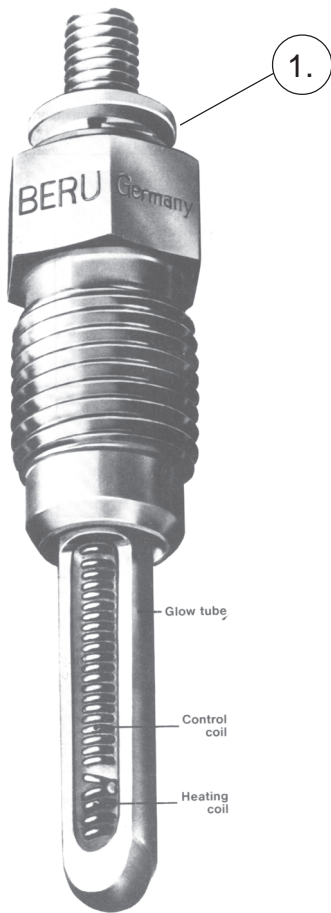



Fig. 5: Temperature development of the various sheathed heater plug generations

Testing:

To see if resistance wire is broken, measure the resistance between the + and – terminals with a circuit analyzer. There will be no resistance if the plug is broken. The resistance between the terminals of an undamaged plug is approximately 1 ohm. In case of a short circuit, measuring the resistance will not uncover the malfunction because there is a 1 ohm resistance in the wires of the circuit analyzer alone. In this case, you can hook the glow plug up to a 12 V power supply (remember the fuse!) and monitor the heating of the tip of the glow plug. The tip should turn red within 20 seconds, if the glow plug is working as it should.



Protect your eyes and be extremely careful when connecting the glow plug to the power supply. A defective glow plug may spatter melted metal through the shell.

5.5 Heat exchanger and glass panel

Changing the glass

In the event you need to change a broken glass range or if you need to reach the structures underneath the glass range, i.e. you must break the range.

Detaching the glass

Cut the weld adhesive between the range and the profile with a sharp knife while at the same time prying it with a screw driver, for example.

Gluing the glass

Clean the old adhesive and grease off the profiles well and dry the surfaces. Spread the adhesive in an even strip (\varnothing 4 mm) in the niche of the front, back and side profile. Go around the entire device according to Figures 1 and 3. Press the range carefully in place such that the adhesive does not squeeze from between the range and profile.

When gluing the range, take note of the way the spring of the banjo, located under the range, depresses. The spring must depress along with the range such that the edges of the range have evenly settled against the profiles. Place something heavy on the range that distributes evenly over the entire range for the entire time it takes for the range to dry. Concentrated weight on a certain area of the range will cause it to warp. You have six minute's time to apply the adhesive before it starts drying. It will be completely dry after 24 hours.

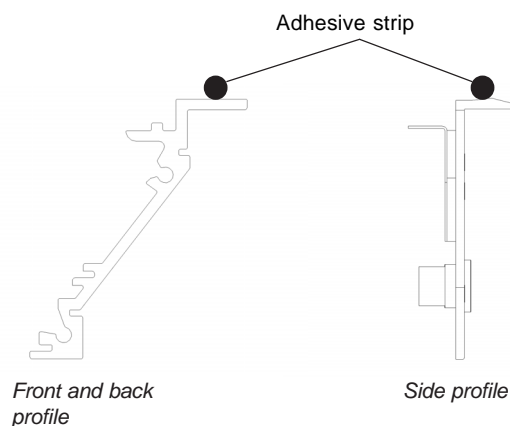


Figure 1:

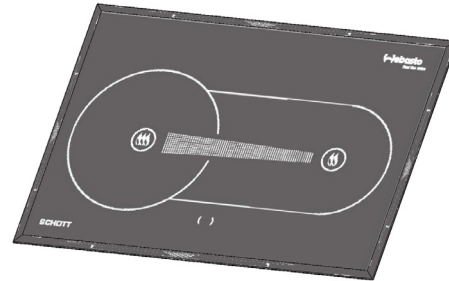


Figure 2:

Adhesive

The adhesive used is Loctite® 5368.

Store the adhesive in room temperature.

Location of the adhesive in the profiles and adhesive cleat:

The strip of adhesive is approximately 4 mm thick and goes around the entire device in the place illustrated in the Figure 1.

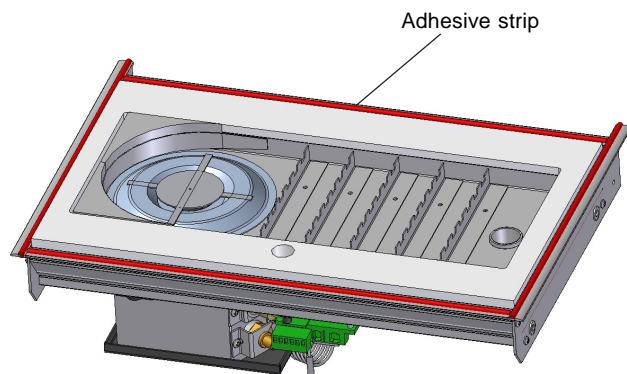


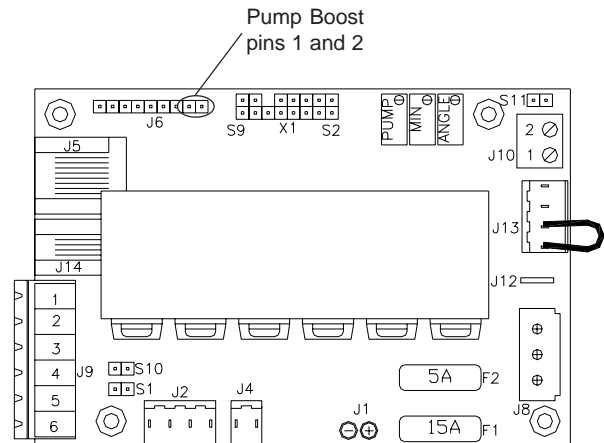
Figure 3:

5.6 Pump Boost

The Pump Boost (PB) function has been designed to facilitate filling the fuel hoses during installation and maintenance.

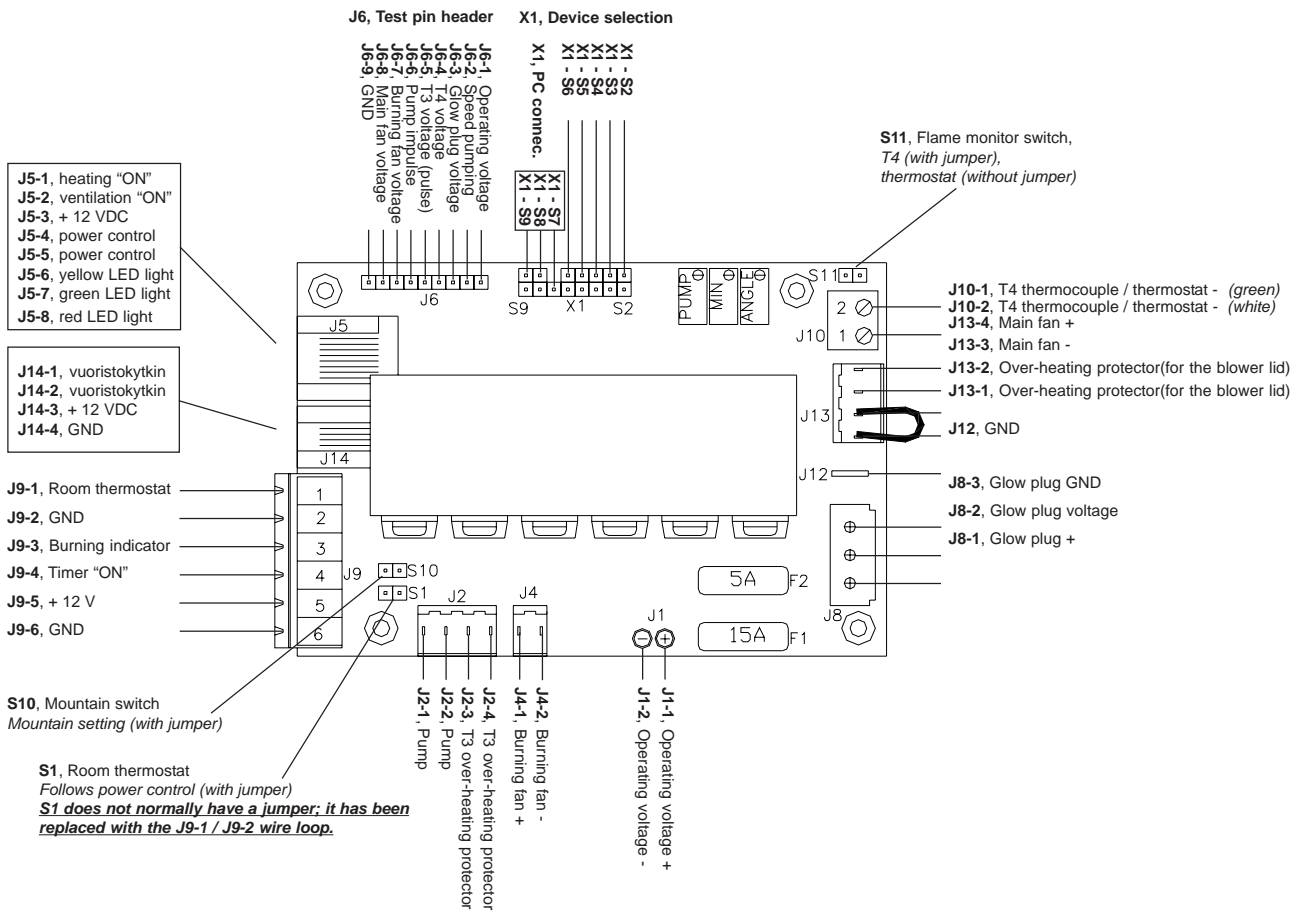
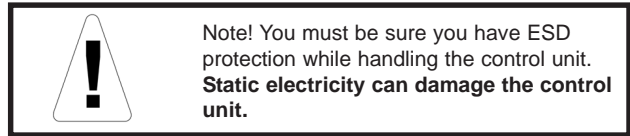
Connect the PB by turning the maintenance person's switch to the vent position and connecting the J6 pins 1 and 2 of the maintenance coupling. The pump will click once and by holding the pins together for at least two seconds, the PB will work. There is no vent position on the control panels of stoves. The integrator stops the PB after the pump has pumped 300 times; by opening the studs, the pump will pump another 300 times. The PB will stop immediately if you open the pins. If you want to start the PB, again must turn the switch to the 0 position (> 1 sec.).

The PB works when the operating voltage is more than 11 V and the over-heating protector T3 is not on.



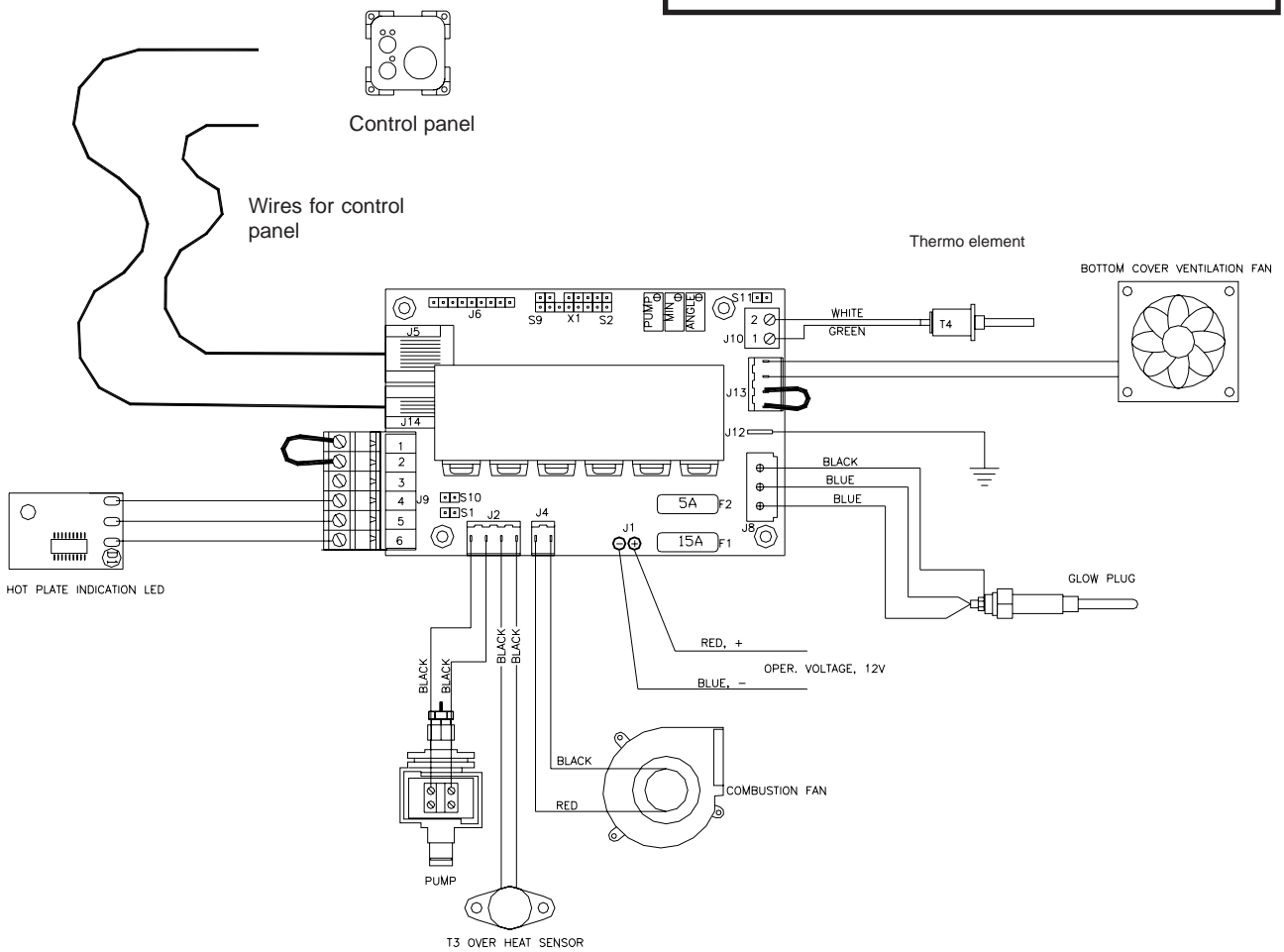
The PB function may only be used in situations where the device is completely "cold" or if the fuel hose is empty.

6 Electrical connections



Outer connections of the control unit

! Note! You must be sure you have ESD protection while handling the control unit. Static electricity can damage the control unit.



Electrical connections for the control unit

7 Maintenance and service

7.1 Basic maintenance

The cooker shall be serviced every two years by an authorized service centre.

In case of intensive use, replace the fuel filter once a year.

Consider the following before taking measurements:

- You can begin to take verifying measurements only after the device has heated up thoroughly, i.e. approximately 10 min after ignition.

- The battery voltage must be at 12 -14 V while taking measurements. A battery or stabilized direct-current supply should be used for supplying power. A battery charger or rectifier can not be used because the device will not function properly with them.

- A dish should be set on the left-hand burner when the stove has been on at full power for a period of 15 minutes. Otherwise, the stove will over-heat and obtaining normal measurements will be impossible.



The suction height (from the top of the measuring glass to the bottom of the device) must be 30 - 60 cm or, more accurately, the same suction height as in the actual installation.

Maintenance procedure:

1. Clean the burner

Open the burner according the instructions in 3.4. Change the bottom mat if needed.

2. Check the glow plug

See malfunction and testing of the glow plug in 3.2. Change the glow plug if needed.

3. Measure the fuel consumption

The fuel pump functions with electric pulses created by an electronic pulse generator. You can hear the pump running by the soft "thumping" sound it makes. The more rapid the pulses (shorter pulses) are, the more fuel the pump pumps. The ratio between the pulse interval and the amount of fuel is constant. The pump is adjusted to fixed volume at the factory, therefore all pumps pump the same amount of fuel within the same pulse interval.

Later, as the pump gets older, it may raise the amount of fuel input by 5 - 10 %. Therefore, you should always make a verifying measurement of the fuel input when servicing the device or changing the pump.

(A) Fuel input measurement

1. Turn on the device.
2. Adjust the device to maximum.
3. Figure out how much fuel is being consumed by measuring the fuel consumed during a period of 6 min. using a 50 or 100 ml measuring cylinder. When multiplying the result by 10 you'll get the value ml/h.

If the fuel input differs from the nominal value (see technical information), adjust the input according adjustment instructions.

(B) Fuel input adjustment

1. Turn on the device.
2. Adjust the device to maximum.
3. About 5 minutes after start-up, measure the pump's input at maximum and adjust it to the correct value using the "PUMP" trim, which is on the card; the adjustment range is approximately $\pm 5\%$
 - a. Turning the trim counter-clockwise will decrease the yield, turning the trim clockwise will increase it.
 - b. Measure the fuel input again.

(C) Malfunction of the pump

Malfunctions in the pump may be caused by dirt build-up in the valves or a damaged valve disc. Even a small particle may prohibit the pressure gradient, needed for pumping, from forming, especially when starting the device for the first time, when the pump does not contain fuel. In this case, you can decrease the pumping pressure gradient by putting the suction end of the fuel hose in a bottle containing fuel, for example. Then, raise the bottle to the same level of the heater or above it.
Change the pump if needed.

4. Analyze the O₂ and CO₂

An O₂ analysis reveals more quickly the reason for impure burning. The O₂ analysis should be performed with a meter intended for the purpose.

Combustion meters have an oxygen cell, which measures the O₂ value. The device numerically changes the value to the CO₂ value, which is used universally in service shops. There are differences in calculation formats; a more precise test result can be achieved using the O₂ value.

A CO₂ value that is too high indicates an excess in fuel input, not enough combustion air, an air gap in the burner, or a defective burning fan. A CO₂ value that is too low indicates that the device is not getting enough fuel or there is too much combustion air. See the nominal value in technical information. If the value differs make the adjustment.

Combustion air adjustment

A Adjust the device to minimum and let it run at the minimum for 10 min to reach the operation temperature. When the device has reached its minimum operation temperature, measure the combustion and, if needed, adjust the minimum rotation speed of the burning fan to "MIN" with the trim.

a. Turning the trim counter-clockwise will decrease the rotation speed of the burning fan, turning it clockwise will increase the rotation; the adjustment range is approximately $\pm 5\%$.

b. Measure the combustion again.

B Adjust the device to the maximum and let it run for 10 min to reach the operation temperature. When the device has reached its maximum operation temperature, measure the combustion and, if needed, adjust the maximum rotation speed of the burning fan with the "ANGLE" trim.

a. Turning the trim counter-clockwise will decrease the rotation speed of the burning fan, turning it clockwise will increase the rotation; the adjustment range is approximately $\pm 5\%$.

b. Measure the combustion again.

5. Soot test

The soot test determines whether the combustion is pure.

You can perform the test with a

A CO-meter (you can compare the result to the nominal value in technical information)

B Soot test pump

Instructions to use of soot test pump

Place the test pump's suction hose into the combustion pipe hose and take a sample by slowly and fully pumping the pump 10 times. The result must be 0 with the exception of the first 5 – 6 minutes after start-up when a small amount of soot can be accepted.

In an burner that functions properly, the formation of soot stops when glowing stops. If the device becomes sooty, the fuel input may be too much or not enough, the combustion air input has been adjusted incorrectly, or there is an air gap in the channels for the combustion air input, or some other reason. See the "Troubleshooting chart".

The combustion air input can be analyzed and adjusted according the instructions in check point 4.

6. In case the basic maintenance does not help

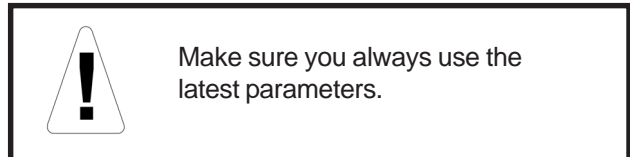
If the device runs unbalanced or becomes sooty despite the correct fuel and air values, then the malfunction could be caused by the following:

- sooty burner
- air gap in the burner system
- wrong kind of fuel
- combustion channels are clogged or they have water in them

If the device has any other fault or acts unusual way, check the source of malfunction from the troubleshooting chart 5.0

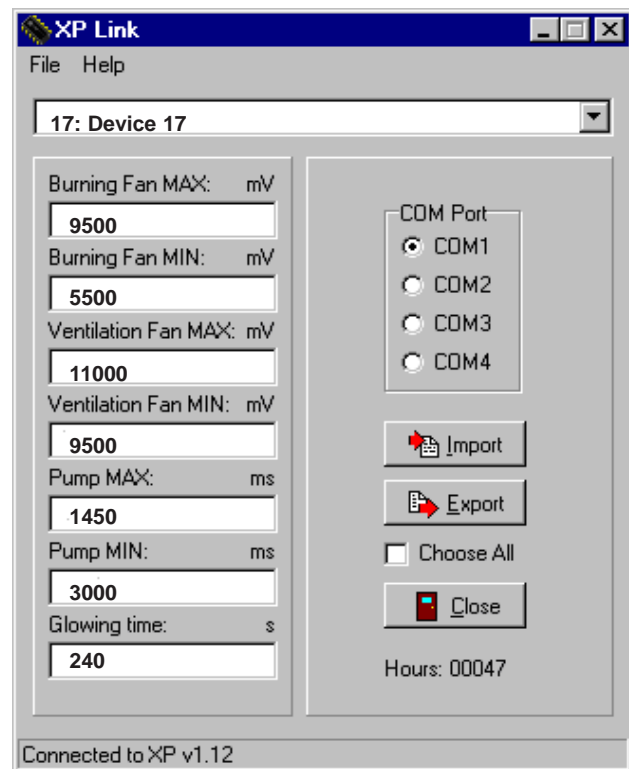
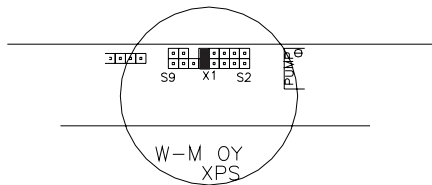
7.2 Control unit settings

The parameters for several different devices have been programmed on to the circuit card. Choose the device / device parameters X1 by connecting the pair of studs together with jumpers. It is extremely important that the jumpers are in the correct places so the devices work properly.



See Figures for the correct places for the jumpers.

DEVICE 17: Webasto Diesel Cooker X100



The parameters in the Figures are **AI.xpd parameters.**

In multilingual versions the English language is binding.

Webasto Thermo & Comfort SE
Postfach 1410
82199 Gilching
Germany

Visiting address:
Friedrichshafener Str. 9
82205 Gilching
Germany

Internet: www.webasto.com

Technical Extranet: <http://dealers.webasto.com>

The telephone number of each country can be found in the Webasto service center leaflet or the website of the respective Webasto representative of your country.